

EN

English, 8

RU

РУССКИЙ, 13

PL

Polski, 18

FR

Français, 23

HU

Magyar, 28

CS

Český, 33

SK

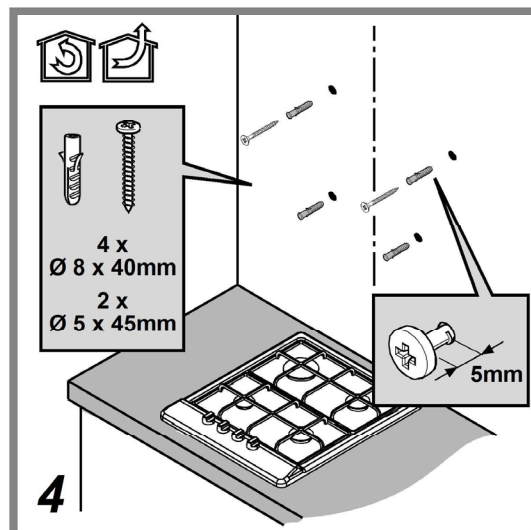
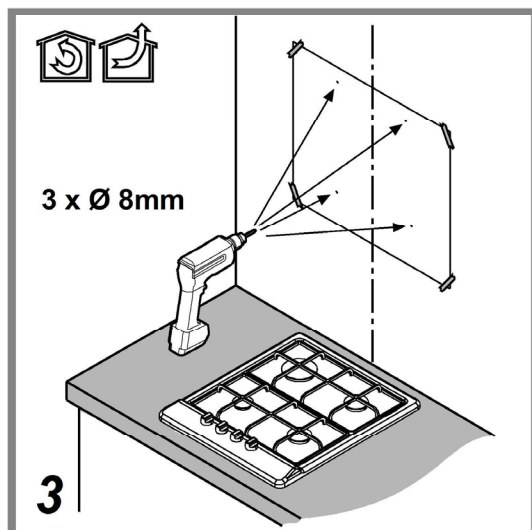
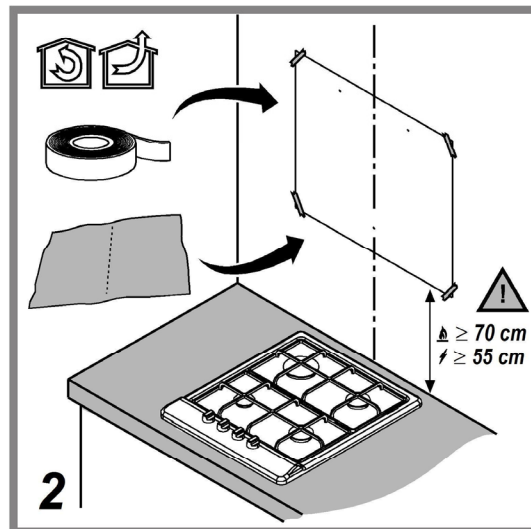
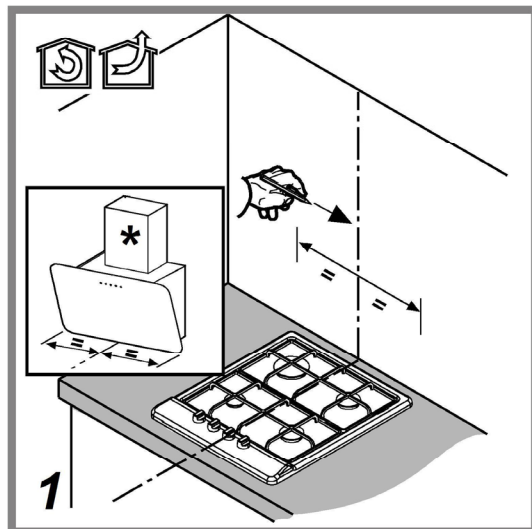
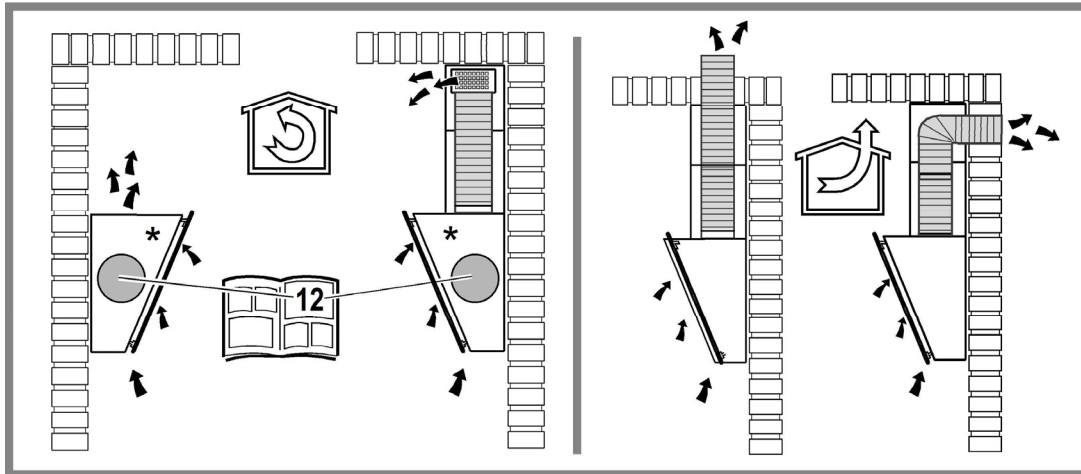
Slovenský, 38

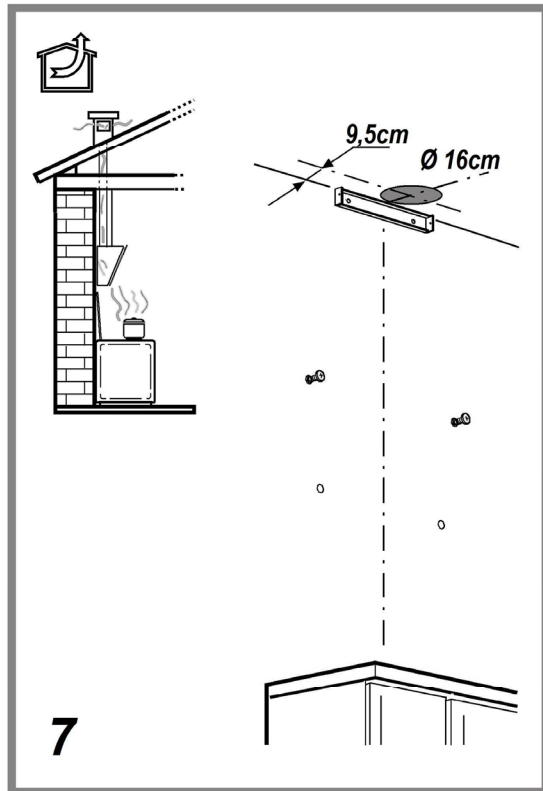
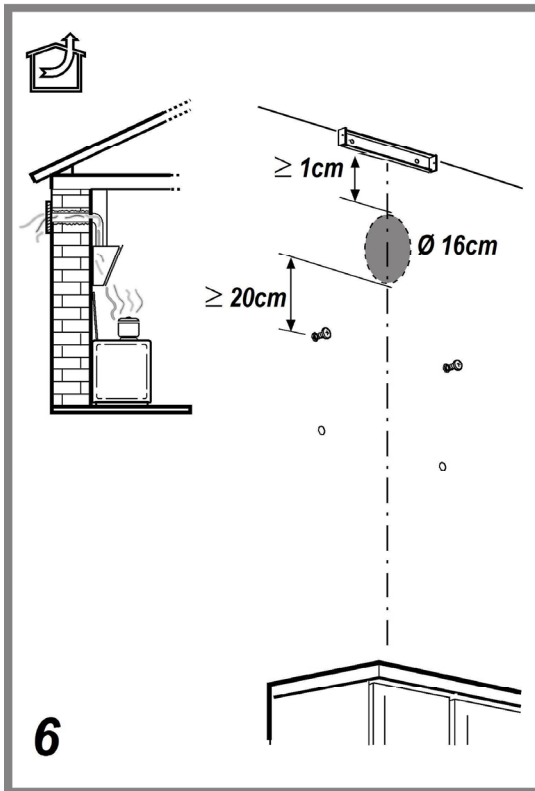
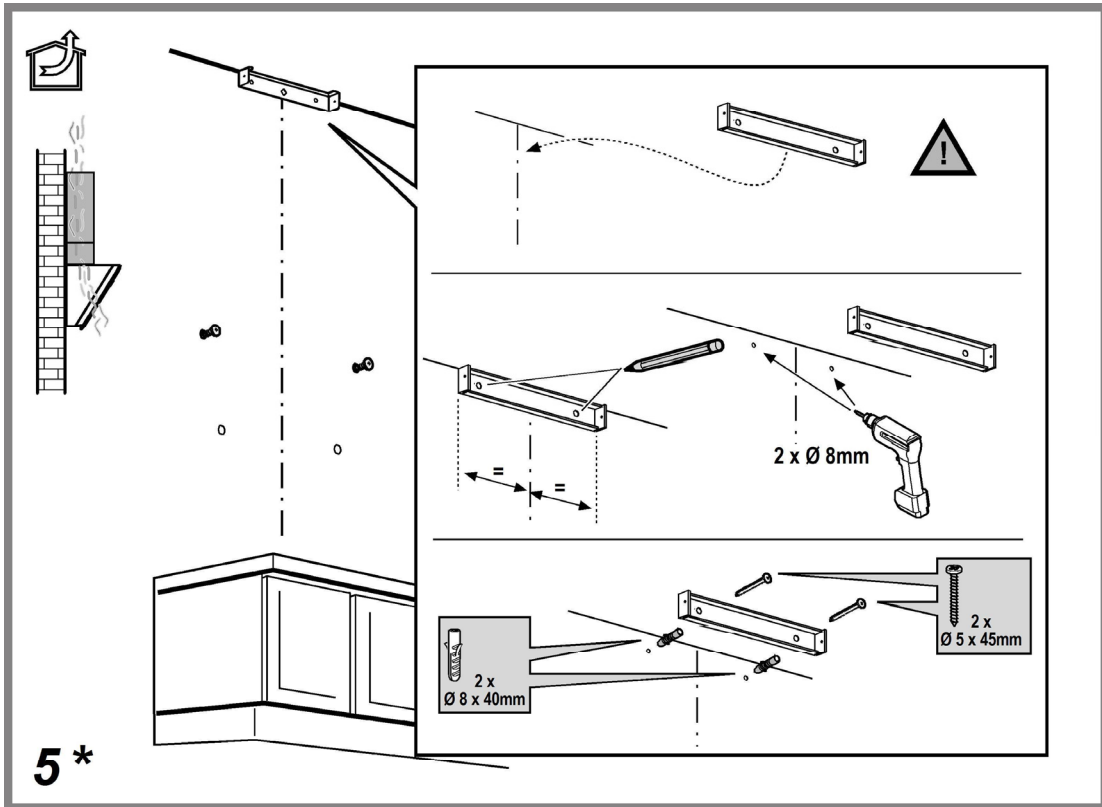
RO

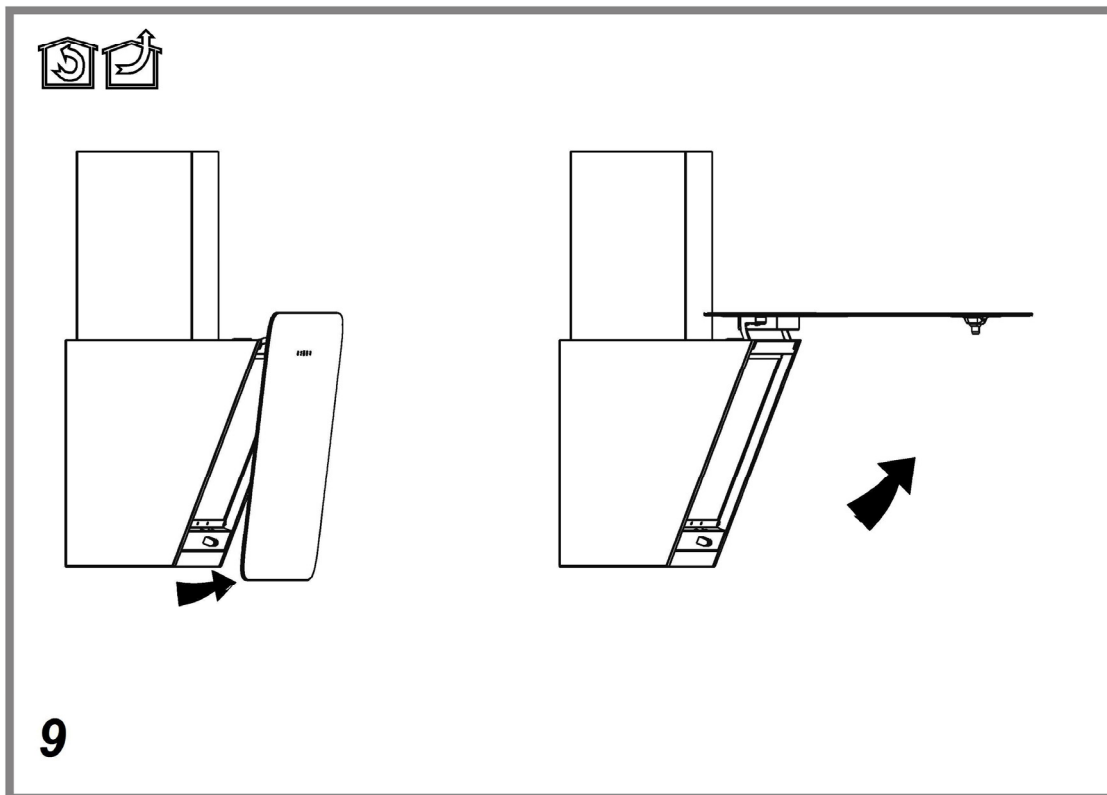
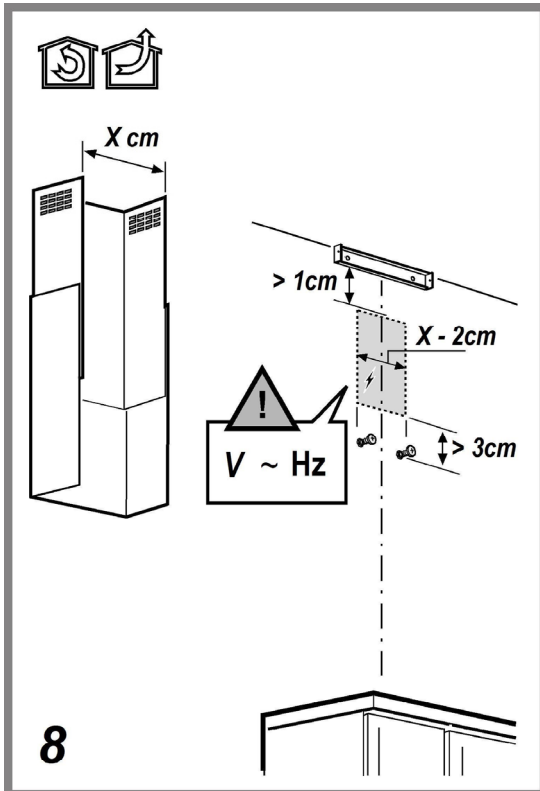
Română, 43

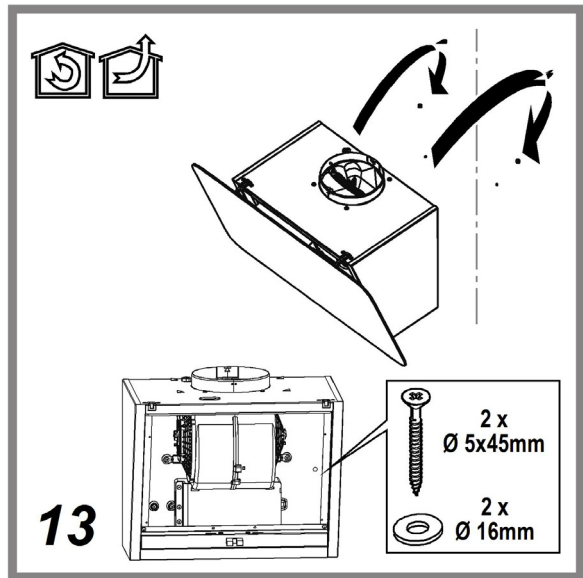
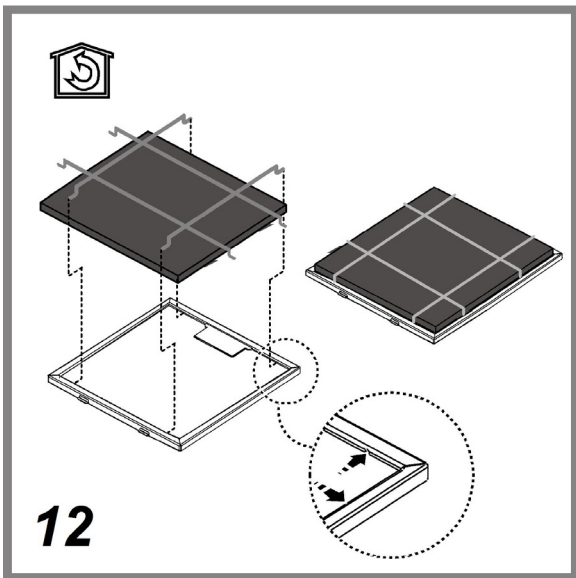
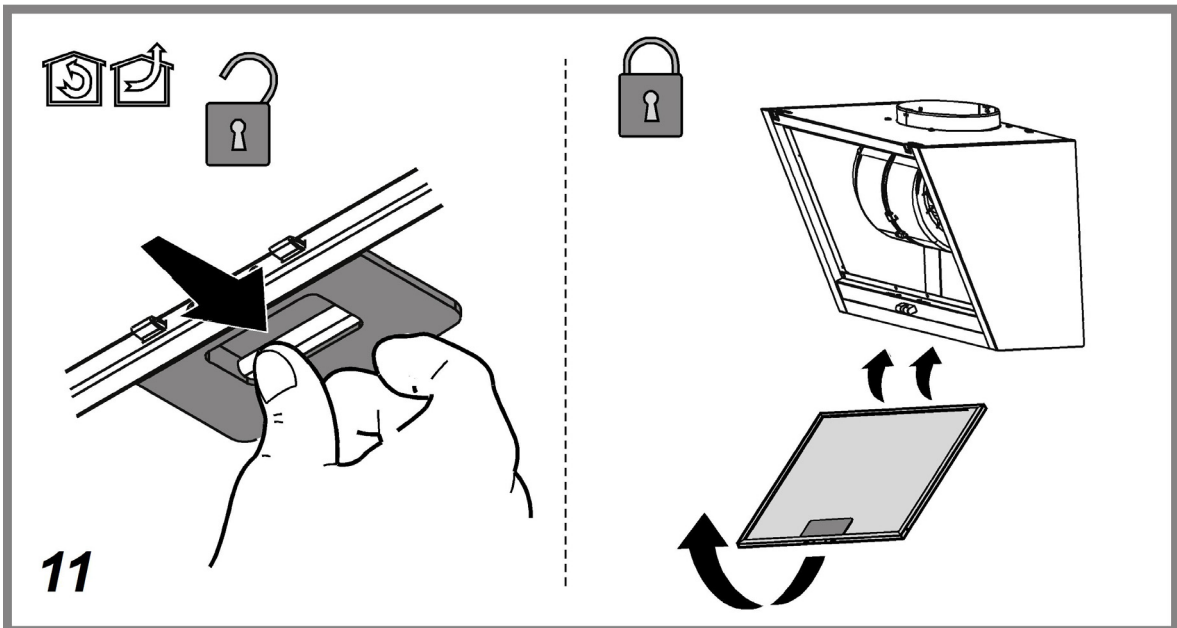
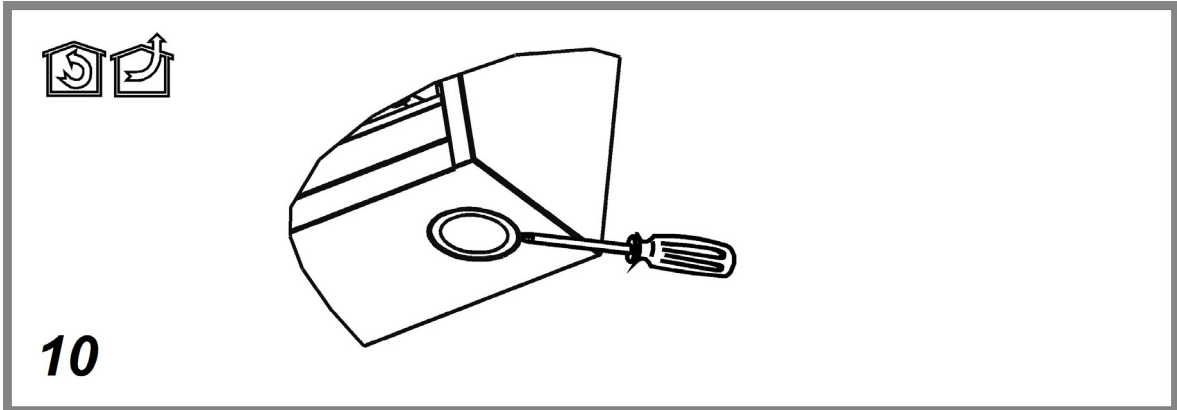
IHVP 6.4 AL K
IHVP 6.6 LM K

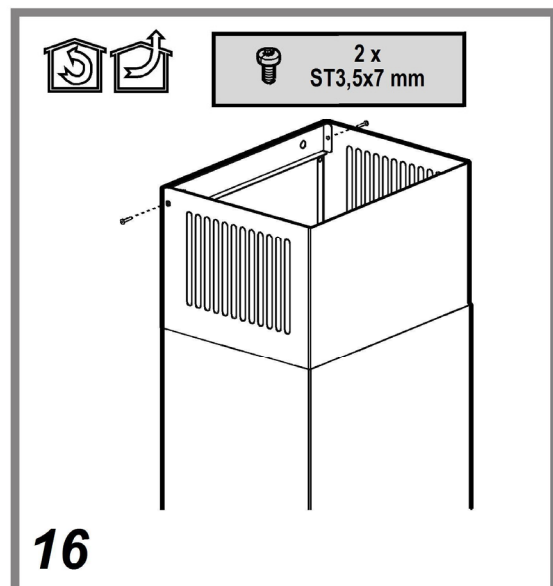
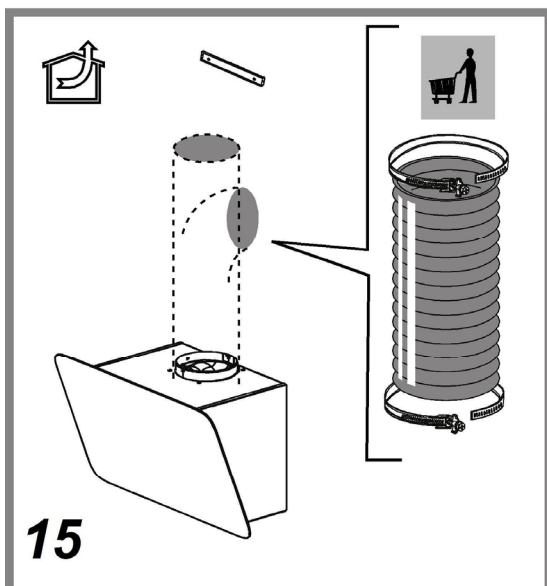
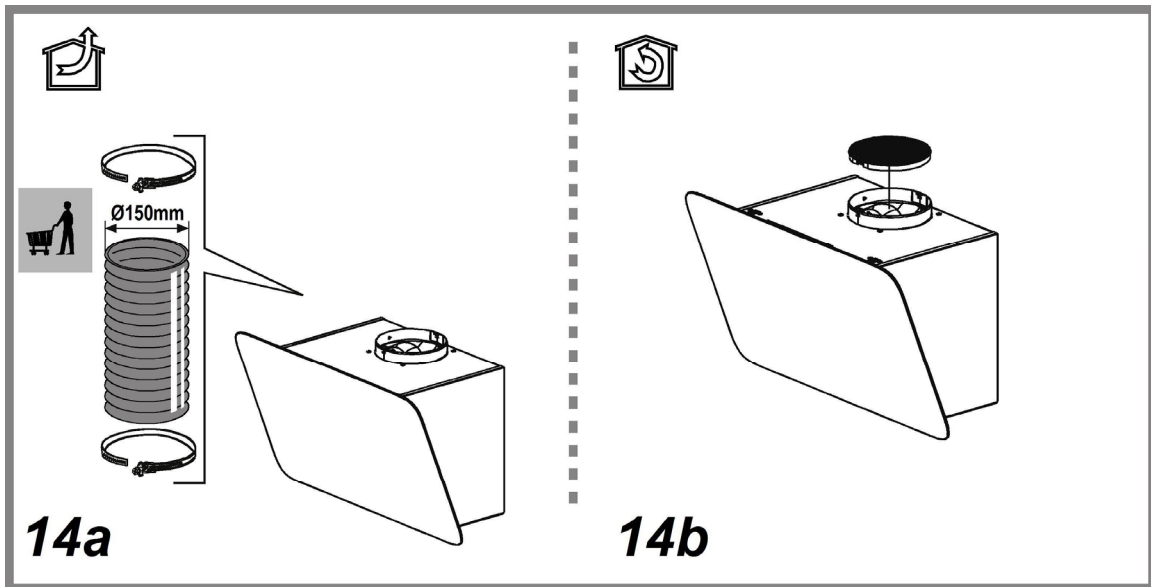
Instructions for use
Инструкция по
эксплуатации
Instrukcja obsługi
Mode d'emploi
Használati útmutató
Návod k použití
Návod na používanie
Informații pentru
utilizator











GENERAL SAFETY

Before any cleaning or maintenance operation, disconnect hood from the mains by removing the plug or disconnecting the mains electrical supply.

Always wear work gloves for all installation and maintenance operations.

This appliance can be used by children aged from 8 years and above and persons with reduced physical, sensory or mental capabilities or lack of experience and knowledge if they have been given supervision or instruction concerning use of the appliance in a safe way and understand the hazards involved.

Children shall not be allowed to tamper with the controls or play with the appliance.

Cleaning and user maintenance shall not be made by children without supervision.

The premises where the appliance is installed must be sufficiently ventilated, when the kitchen hood is used together with other gas combustion devices or other fuels.

The hood must be regularly cleaned on both the inside and outside (AT LEAST ONCE A MONTH).

This must be completed in accordance with the maintenance instructions provided in this manual. Failure to follow the instructions provided in this user guide regarding the cleaning of the hood and filters will lead to the risk of fires.

The flaming of foods beneath the hood itself is severely prohibited.

The use of exposed flames is detrimental to the filters and may cause a fire risk, and must therefore be avoided in all circumstances.

Any frying must be done with care in order to make sure that the oil does not overheat and ignite.

CAUTION: Accessible parts of the hood may become hot when used with cooking appliances.

For lamp replacement use only lamp type indicated in the Maintenance/Replacing lamps section of this manual.

WARNING! Do not connect the appliance to the mains until the installation is fully complete.

With regards to the technical and safety measures to be adopted for fume discharging it is important to closely follow the regulations provided by the local authorities.

The ducting system for this appliance must not be connected to any existing ventilation system which is being used for any other purpose such as discharging exhaust fumes from appliances burning gas or other fuels.

Do not use or leave the hood without the lamp correctly mounted due to the possible risk of electric shocks.

Never use the hood without effectively mounted grids.

The hood must NEVER be used as a support surface unless specifically indicated.

Use only the fixing screws supplied with the product for installation or, if not supplied, purchase the correct screws type.

Use the correct length for the screws which are identified in the Installation Guide.

In case of doubt, consult an authorised service assistance centre or similar qualified person.

WARNING! Failure to install the screws or fixing device in accordance with these

instructions may result in electrical hazards.

The hood can look different to that illustrated in the drawings in this booklet. The instructions for use, maintenance and installation, however, remain the same.

Closely follow the instructions set out in this manual. All responsibility, for any eventual inconveniences, damages or fires caused by not complying with the instructions in this manual, is declined. The hood is conceived for the suction of cooking fumes and steam and is destined only for domestic use.

- ! It is important to conserve this booklet for consultation at any moment. In the case of sale, cession or move, make sure it is together with the product.
- ! Read the instructions carefully: there is important information about installation, use and safety.
- ! Do not carry out electrical or mechanical variations on the product or on the discharge conduits.
- ! Before proceeding with the installation of the appliance verify that there are no damaged all components. Otherwise contact your dealer and do not proceed with the installation.

The minimum distance between the supporting surface for the cooking equipment on the hob and the lowest part of the range hood must be not less than 55cm from electric cookers and 70cm from gas or mixed cookers.

If the instructions for installation for the gas hob specify a greater distance, this must be adhered to.

ELECTRICAL CONNECTION

The mains power supply must correspond to the rating indicated on the plate situated inside the hood. If provided with a plug connect the hood to a socket in compliance with current regulations and positioned in an accessible area, after installation. If it not fitted with a plug (direct mains connection) or if the plug is not located in an accessible area, after installation, apply a double pole switch in accordance with standards which assures the complete disconnection of the mains under conditions relating to over-current category III, in accordance with installation instructions.

Warning! Before re-connecting the hood circuit to the mains supply and checking the efficient function, always check that the mains cable is correctly assembled.

Replacing the power cable

The hood is provided with a special power cable ; if the cable is damaged, request a new one from Technical Service.

AIR VENT

(for the suction versions)

Connect the hood and discharge holes on the walls with a diameter equivalent to the air outlet (connection flange).

Using the tubes and discharge holes on walls with smaller dimensions will cause a diminution of the suction performance and a drastic increase in noise.

Any responsibility in the matter is therefore declined.

- ! Use a duct of the minimum indispensable length.
- ! Use a duct with as few elbows as possible (maximum elbow angle: 90°).
- ! Avoid drastic changes in the duct cross-section.
- ! The company declines any responsibility whenever these regulations are not respected.

FILTERING OR DUCTING ?

- ! Your cooker hood is ready to be used in suction version.
To use the hood in filtering version the special ACCESSORY KIT must be installed.
Check on the first pages of this manual if the ACCESSORY KIT is furnished or must be bought separately.
Note: If furnished, in certain cases, the additional activated carbon filtering system may be installed on the hood.
Information about the conversion of the hood from suction version to filtering version is present in this manual.



Ducting version

In this case the fumes are conveyed outside of the building by means of a special pipe connected with the connection ring located on top of the hood.

Attention! The exhausting pipe is not supplied and must be purchased apart. Diameter of the exhausting pipe must be equal to that of the connection ring. Attention! If the hood is supplied with active charcoal filter, then it must be removed.



Filter version

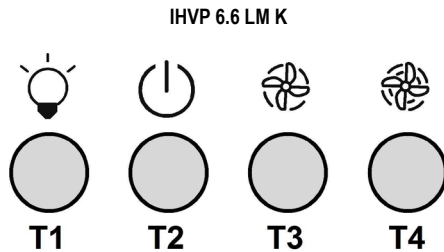
The aspirated air will be degreased and deodorised before being fed back into the room.

In order to use the hood in this version, you have to install a system of additional filtering based on activated charcoal.

CONTROLS

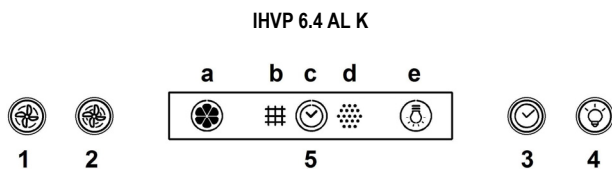
The hood is fitted with a control panel with aspiration speed selection control and a light switch to control cooking area lights.

Models with mechanical control panel



- T1. ON/OFF light switch
- T2. Speed 1/OFF switch
- T3. 2-speed selection
- T4. 3-speed selection

Models with Soft Button panel + LCD Display



1. **OFF / Extraction speed (power) decrease button**
2. **ON / Extraction speed (power) increase button**
Note: The intensive extraction speed (power) is timed and lasts for 5 minutes (indicator c flashes); the hood then reverts to extraction speed (power) 2.
3. **ON/OFF Timer button:** delays the deactivation of the selected extraction speed (power) by 5 minutes.
Note: the button is also used for the "Filter saturation signal reset" function
4. **Light ON/OFF button**
5. **Display, shows:**
 - a. **Extraction speed (power):** the indicator rotates according to the selected extraction speed (power).
Safety operation: the indicator flashes.
 - b. **Grease filter saturation:** comes on when filter maintenance is required.
 - c. **Timer**
 - d. **Active carbon filter saturation:** comes on when filter maintenance is required.
Note: this function is normally disabled and should only be activated if the hood is used as a filter version (with carbon filter fitted).
To do so, proceed as follows:
 - switch off the hood
 - press and hold buttons 1 and 3 at the same time, until the indicator stops flashing (indicator disabled) and is lit steadily (indicator enabled).
 - release the buttons.To deactivate it, repeat the procedure: the indicator will no longer be lit steadily (indicator enabled) and will flash instead (indicator disabled).).
 - e. **Lighting**

Safety operation

The hood has a sensor which, in the event of a sudden increase in temperature, activates the appliance until the temperature drops significantly.

Filter saturation signal reset

After carrying out filter maintenance, press and hold button 3 until indicator.

MAINTENANCE

Cleaning

Clean using **ONLY** the cloth dampened with neutral liquid detergent. **DO NOT CLEAN WITH TOOLS OR INSTRUMENTS.** Do not use abrasive products. **DO NOT USE ALCOHOL!**

Perimeter aspiration panel

Clean the perimeter aspiration panel with the same frequency as the ant-fats filter, using a cloth and not too concentrated liquid detergent. Do not use abrasive substances.

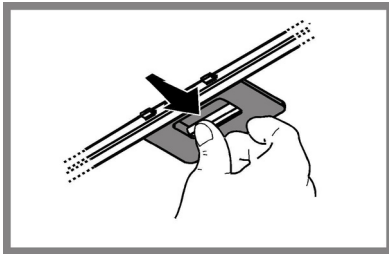
Maintenance of the anti-grease filters

Traps cooking grease particles.

This must be cleaned once a month (or when the filter saturation indication system – if envisaged on the model in possession – indicates this necessity) using non aggressive detergents, either by hand or in the dishwasher, which must be set to a low temperature and a short cycle.

When washed in a dishwasher, the grease filter may discolour slightly, but this does not affect its filtering capacity.

To remove the grease filter, pull the spring release handle.

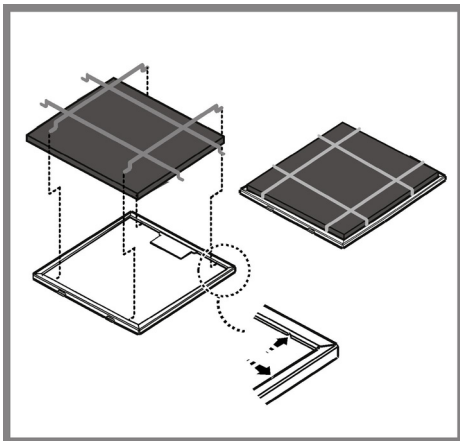


Maintenance of the charcoal filter

It absorbs unpleasant odours caused by cooking.

The saturation of the charcoal filter occurs after more or less prolonged use, depending on the type of cooking and the regularity of cleaning of the grease filter.

In any case it is necessary to replace the cartridge at least every four months (or when the filter saturation indication system – if envisaged on the model in possession – indicates this necessity). The charcoal filter may NOT be washed or regenerated.



Replacing lamps

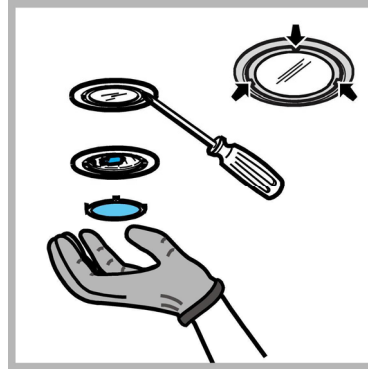
IHVP 6.4 AL K

Disconnect the appliance from the electricity.

Warning! Prior to touching the light bulbs ensure they are cooled down.

Replace the old light bulb with the one of the same type as specified in the feature label or near the light lamp on the hood.

1. Using a flat head screwdriver or equivalent tool, carefully pry loose the light cover.
2. Remove the damaged light and replace with a new 12 Volt, 20 Watt (Maximum) halogen light made for a G-4 base SUITABLE FOR USE IN OPEN LUMINAIRES. Follow package directions and do not touch new light with bare hands.
3. Reinstall the light cover. (it will snap shut).



IHVP 6.6 LM K

The hood is equipped with a lighting system based on LED technology.

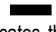
The LEDs guarantee an optimum lighting, a duration up to 10 times as long as the traditional lamps and allow to save 90% electrical energy.

For replacement, contact the technical service.

DISPOSAL

This appliance is marked according to the European directive 2012/19/EC on Waste Electrical and Electronic Equipment (WEEE). By ensuring this product is disposed of correctly, you will help prevent potential negative consequences for the environment and human health, which could otherwise be caused by inappropriate waste handling of this product.



The symbol  on the product, or on the documents accompanying the product, indicates that this appliance may not be treated as household waste. Instead it should be taken to the appropriate collection point for the recycling of electrical and electronic equipment. Disposal must be carried out in accordance with local environmental regulations for waste disposal.

For further detailed information regarding the process, collection and recycling of this product, please contact the appropriate department of your local authorities or the local department for household waste or the shop where you purchased this product.

Appliance designed, tested and manufactured according to:

- Safety: EN/IEC 60335-1; EN/IEC 60335-2-31, EN/IEC 62233.
- Performance: EN/IEC 61591; ISO 5167-1; ISO 5167-3; ISO 5168; EN/IEC 60704-1; EN/IEC 60704-2-13; EN/IEC 60704-3; ISO 3741; EN 50564; IEC 62301.
- EMC: EN 55014-1; CISPR 14-1; EN 55014-2; CISPR 14-2; EN/IEC 61000-3-2; EN/IEC 61000-3-3. Suggestions for a correct use in order to reduce the environmental impact: Switch ON the hood at minimum speed when you start cooking and kept it running for few minutes after cooking is finished. Increase the speed only in case of large amount of smoke and vapour and use boost speed(s) only in extreme situations. Replace the charcoal filter(s) when necessary to maintain a good odour reduction efficiency. Clean the grease filter(s) when necessary to maintain a good grease filter efficiency. Use the maximum diameter of the ducting system indicated in this manual to optimize efficiency and minimize noise.

MALFUNCTIONS

If something appears not to be working properly, do the following simple checks before calling Technical Service:

- If the hood is not working:
Check that:
 - The power has not been disconnected.
 - A speed has been selected.
- If the hood performs inefficiently:
Check that:
 - The motor speed selected is sufficient for the amount of smoke and vapours released.
 - The kitchen is sufficiently ventilated to allow air intake.
 - The charcoal filter is not worn (hood in filtering version).
- If the hood has turned off during normal functioning:
Check that:
 - The power has not been disconnected.
 - the omnipolar disconnection device has not tripped.

If the hood fails to operate correctly, briefly disconnect it from the mains power supply for almost 5 sec. by pulling out the plug. Then plug it in again and try once more before contacting the Technical Assistance Service.

TECHNICAL DATA

Model	Height (cm)	Width (cm)	depth (cm)	Ø of exhaust tube (cm)
HHVP 6.4F AL K	69 -104	59,5	15	15
HHVP 6.6F LM K	69 -104	60	18,9	15

Please check the plate in order to verify the total absorption and the light absorption.

IHVP 6.4 AL K

	Power (W)	Voltage (V)	Cap	Dimensions (mm)
Halogen	2 x 20W	12	G4	33xØ10

IHVP 6.6 LM K

The hood is equipped with a lighting system based on LED technology. For replacement, contact the technical service.



Components not provided with the product

⚠ ОБЩИЕ ПРАВИЛА ТЕХНИКИ БЕЗОПАСНОСТИ

Перед началом какой либо операции по чистке или обслуживанию, отключить вытяжку от электрической сети вынимая вилку из розетки или отключая общий выключатель помещения. Для всех операций по установке и обслуживанию использовать рабочие перчатки.

Прибор может быть использован детьми не младшими 8 лет и особами со сниженными физическими, сенсорными или умственными способностями, или же с недостаточным опытом ясли находятся под контролем, или если были обучены использовать прибор в безопасный способ и если понимают связанные с этим опасности.

Дети должны быть под контролем и не должны играть с прибором.

Операции по чистке и обслуживанию не должны проводиться детьми без надзора

Помещение должно иметь достаточную вентиляцию, когда кухонная вытяжка используется одновременно с другими приборами что работает газе или других топливах. Вытяжка должна быть часто чищена как внутри так и сверху (**ХОТЯ БЫ ОДИН РАЗ В МЕСЯЦ**), додерживаться инструкций по обслуживанию приведённых в этом руководстве. Не соблюдение норм чистки вытяжки и замены и чистки фильтров может привести к загораниям.

Строго запрещено приготовление еды на открытом огне под вытяжкой.

Использование открытого пламени наносит ущерб фильтрам и может привести к загораниям, поэтому должно избегаться в любом случаи.

Жаренье должно проводиться под надзором чтобы избежать, что раскалённое подсолнечное масло загорится.

ВНИМАНИЕ: Когда варочная поверхность работает, доступные части вытяжки могут нагреваться.

Для замены лампочки освещения использовать только тип лампочки указанный в разделе обслуживания/замены лампочки этого руководства.

Внимание! Не подключать прибор до электрической сети до тех пор, пока установка полностью не закончена.

То что касается технических мер и мер безопасности в применения до сброса паров строго додерживаться того что предусматривается по нормам локальных компетентных органов.

Всасываемый воздух не должен быть выпускаться в трубу, используемую для выбросов дымов приборами, что работают на газе или других топливах.

Не использовать или оставлять вытяжку без лампочек правильно установленных с риском получить удар электрическим током.

Никогда не использовать вытяжку без правильно установленной решётки!

Вытяжка НИКОГДА не должна использоваться, как опорная поверхность, если только не указано.

Использовать только винты для фиксирования в комплекте с продуктом для установки или, если нет в комплекте, приобрести винты правильного типа. Использовать правильную длину винтов что указана в руководстве по установке. В случаи сомнений, консультироваться в авторизированном

центре по обслуживанию или с квалифицированным персоналом.

ВНИМАНИЕ! Не установка соответствующих винтов и приспособлений для фиксирования в соответствии с этими инструкциями может привести к рискам электрического происхождения.

Вытяжка может иметь дизайн, отличающийся от вытяжки показанной на рисунках данного руководства, тем не менее, руководство по эксплуатации, техническое обслуживание и установка остаются те же. Изделие хозяйственно-бытового назначения. Производитель снимает с себя всякую ответственность за неполадки, ущерб или пожар, которые возникли при использовании прибора вследствие несоблюдения инструкций, приведенных в данном руководстве. Вытяжка служит для всасывания дыма и пара при приготовлении пищи и предназначена только для бытового использования.

! Очень важно сохранить эту инструкцию, чтобы можно было обратиться к ней в любой момент. Если изделие продается, передается или переносится обеспечить, чтобы инструкция всегда была с ним.

! Внимательно прочитайте инструкцию. В ней находится важная информация по установке, эксплуатации и безопасности.

! Запрещается выполнять изменения в электрической или механической части изделия или в трубах рассеивания.

! Перед началом установки оборудования убедитесь в целостности и сохранности всех компонентов. При наличии любых повреждений обратитесь к поставщику и ни в коем случае не начинайте монтаж оборудования.

Расстояние нижней грани вытяжки над опорной плоскостью под посуду на кухонной плите должно быть не менее 55см – для электрических плит, и не менее 70см для газовых или комбинированных плит.

Если в инструкциях по установке газовой плиты оговорено большее расстояние, то учтите это.

ЭЛЕКТРИЧЕСКОЕ СОЕДИНЕНИЕ

Напряжение сети должно соответствовать напряжению, указанному на табличке технических данных, которая размещена внутри прибора. Если вытяжка снабжена вилкой, подключите вытяжку к штепсельному разъему. Он должен отвечать действующим правилам и быть расположен в легкодоступном месте. Включить в розетку можно после установки. Если же вытяжка не снабжена вилкой (прямое подключения к сети), или штепсельный разъем не расположен в доступном месте, также и после установки, то используйте надлежащий двухполюсный выключатель, обеспечивающий полное размыкание сети при возникновении условий перенапряжения 3-ей категории, в соответствии с инструкциями по установке.

Внимание! прежде чем подключить к сети питания электрическую систему вытяжки и проверить исправное функционирование ее убедитесь в том, что кабель питания правильно смонтирован.

Замена электрокабеля

Вытяжка имеет специальный кабель электропитания; в случае повреждения кабеля, необходимо заказать его в службе по техническому обслуживанию.

ВЫБРОС ВОЗДУХА

(для исполнения с отводом воздуха)

Подсоединить вытяжку к выводной трубе с диаметром соответствующим отверстию выхода воздуха (соединительный фланец).

Установка труб с меньшим диаметром даст уменьшение мощности всасывания воздуха и резкое увеличение уровня шума.

Производитель снимает с себя всякую ответственность по отношению выше сказанного.

! Использовать трубу с минимально необходимой длиной.

! Использовать трубу с наименьшим количеством изгибов (максимальный угол изгиба: 90°).

! Избегать резкого изменения сечения трубы.

! Предприятие снимает с себя какую-либо ответственность если данные правила не выполняются.

С РЕЦИРКУЛЯЦИЕЙ ИЛИ С ВЫВОДОМ ?

! Ваша вытяжка готова к использованию в режиме отвода.

Для того чтобы использовать вытяжку в режиме рециркуляции необходимо установить **ДОПОЛНИТЕЛЬНЫЙ КОМПЛЕКТ**.

Проверьте на первых страницах данного руководства, входит ли **ДОПОЛНИТЕЛЬНЫЙ КОМПЛЕКТ** в поставку или его необходимо приобрести отдельно.

Примечание: Если входит в поставку оборудования, в некоторых случаях, дополнительный комплект угольных фильтров может уже быть установлен на вытяжке.

Информация по переводу вытяжки из режима отвода в режим рециркуляции уже входит в данное руководство.



Исполнение с рециркуляцией

В этом режиме испарения выводятся наружу через гибкий трубопровод, подсоединенный к соединительному кольцу.

Диаметр выводной трубы должен соответствовать диаметру соединительного кольца.

Внимание! Выводная труба не входит в комплект и должна быть приобретена отдельно.

вытяжка снабжена угольным фильтром, то уберите его



Исполнение с отводом воздуха

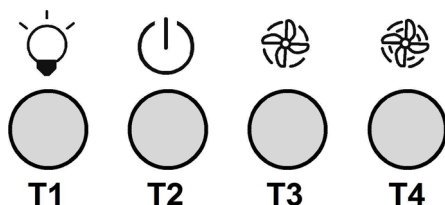
Должен использоваться угольный фильтр, имеющийся в наличии у вашего дистрибьютора. Втягиваемый воздух обезжиривается и дезодорируется перед тем, как вновь возвращается в помещение через верхнюю решетку.

КОМАНДЫ

Вытяжка оснащена щитом управления для контроля скорости вытяжного вентилятора и зажигания света для освещения рабочей поверхности плиты.

Модели с механическим пультом

ИНVP 6.6 LM K



T1. Выключатель освещения ON/OFF.

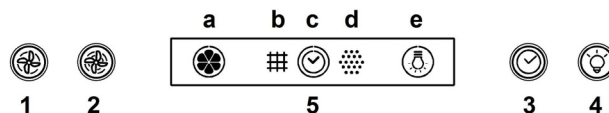
T2. Выключатель OFF/скорость 1

T3. Переключатель скорости 2

T4. Переключатель скорости 3

Модели с пультом Soft Button + Дисплей LCD

ИНVP 6.4 AL K



1. **ВЫКЛ / Кнопка уменьшения скорости вытяжки (выключения питания)**
2. **ВКЛ / Кнопка увеличения скорости вытяжки (включения питания)**
Примечание: Повышенная скорость (мощность) вытяжки включается на 5 минут (индикатор с мигает); затем вытяжка переключается на скорость (мощность) 2.
3. **ВКЛ/ВЫКЛ Кнопка таймера:** задержка отключения выбранной скорости вытяжки (питания) на 5 минут.
Примечание: кнопка также используется для включения функции "Сброс сигнала насыщения фильтров".
4. **Кнопка ВКЛ/ВЫКЛ подсветки**
5. **На дисплее отображается:**
 - a. **Скорость вытяжки (питания):** индикатор поворачивается в зависимости от выбранной скорости вытяжки (Вкл/Выкл питания).
Безопасный режим: индикатор мигает.
 - b. **Насыщение жиронаправляющих фильтров:** появляется, когда необходимо обслуживание фильтров.
 - c. **Таймер**
 - d. **Насыщение жиронаправляющих фильтров:** появляется, когда необходимо обслуживание фильтров.
Примечание: эта функция обычно отключена и должна активироваться только, если вытяжка эксплуатируется в режиме фильтрации (с установленным угольным фильтром).
 Для этого действуйте следующим образом:
 - выключите вытяжку;
 - одновременно нажмите и удерживайте кнопки 1 и 3, пока индикатор не прекратит мигать (индикатор отключен) он не начнет светиться постоянно (индикатор включен).
 - отпустите кнопки.
 Для отключения повторите процедуру: индикатор больше не будет светиться непрерывно (индикатор включен), а будет мигать (индикатор отключен).
 - e. **Подсветка**

Безопасный режим

Если вытяжка снабжена датчиком, который в случае внезапного повышения температуры, включает вытяжку, которая работает, пока температура значительно не снизится.

Сброс сигнала насыщения фильтров

После выполнения обслуживания фильтров нажмите и удерживайте кнопку 3, пока индикатор не погаснет.

ТЕХНИЧЕСКОЕ ОБСЛУЖИВАНИЕ

Очистка

Для чистки используйте **ТОЛЬКО** специальную тряпку, смоченную нейтральным жидким моющим средством. **НЕ ИСПОЛЬЗУЙТЕ НИКАКИЕ ИНСТРУМЕНТЫ ДЛЯ ОЧИСТКИ.** Не применяйте средства, содержащие абразивные материалы. **НЕ ПРИМЕНЯЙТЕ СПИРТ!**

Панель периметрального всасывания

Чистить всасывающую, наружную панель с той же частотой что и жировой фильтр, используя салфетку с не сильно концентрированным моющим средством. Ни когда не использовать абразивные вещества.

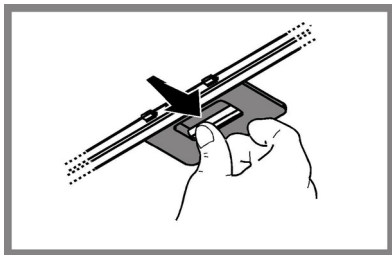
Обслуживание жировых фильтров

Удерживает частицы жира, исходящие от плиты.

Фильтр следует чистить ежемесячно (или когда система индикации насыщения фильтров, если она имеется в Вашей модели, указывает на данную необходимость) неагрессивными моющими средствами, вручную или в посудомоечной машине при низкой температуре и экономичном цикле мытья.

При мытье в посудомоечной машине может иметь место некоторое обесцвечивание фильтра задержки жира, но его фильтрующая характеристика остается абсолютно неизменной.

Для снятия фильтра задержки жира потяните к себе подпружиненную ручку отщепления фильтра.

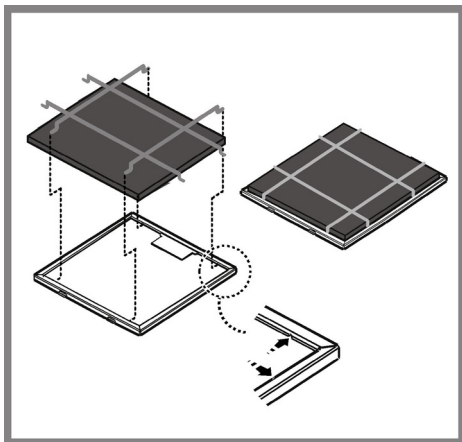


Обслуживание угольного фильтра

Удаляет неприятные запахи кухни.

Насыщение угольного фильтра происходит по истечении более или менее длительного периода эксплуатации, предопределяемого типом кухни и периодичностью очистки фильтров задержки жира. В любом случае, заменяйте картридж по крайней мере через каждые 4 месяца (или когда система индикации насыщения фильтров, если она имеется в Вашей модели, указывает на данную необходимость).

Угольный фильтр НЕ подлежит мойке или регенерации.



Замена ламп

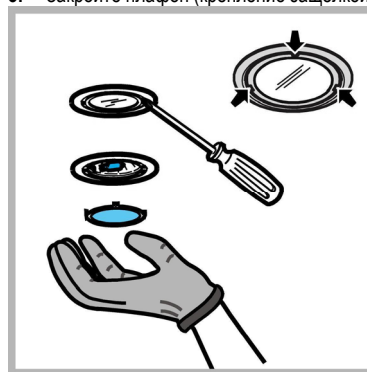
INVP 6.4 AL K

Отключите прибор от электросети.

Внимание! Прежде чем прикасаться к лампам убедитесь в том, что они остыли.

Заменить поврежденную лампочку на новую такого же типа, как указано на этикетке, или рядом с лампочкой на вытяжке.

1. Используя плоскую отвертку или аналогичный инструмент, осторожно снимите защитный элемент.
2. Замените перегоревшую лампу. Используйте лишь галогеновые лампы на 12 вольт, мощностью максимум 20 ватт , сделанные для базы G4 , пригодные для использования в открытых светильниках. Следуйте указаниям и не прикасайтесь к новым лампам голыми руками.
3. Закройте плафон (крепление защелкой).



INVP 6.6 LM K

Вытяжка оборудована освещением на светодиодах LED.

Светодиоды обеспечивают оптимальное освещение, их срок службы в 10 раз превышает срок работы традиционных лампочек, и позволяют экономить 90% электроэнергии.


Для замены светодиодов обращаться в службу технического обслуживания.

УТИЛИЗАЦИЯ

Данное изделие промаркировано в соответствии с Европейской директивой 2012/19/EC по утилизации электрического и электронного оборудования (WEEE).

Обеспечив правильную утилизацию данного изделия, Вы помогаете предотвратить потенциальные негативные последствия для окружающей среды и здоровья человека.



Символ  на самом изделии или сопроводительной документации указывает, что при утилизации данного изделия с ним нельзя обращаться как с обычными бытовыми отходами. Вместо этого, его следует сдавать в соответствующий пункт приема электрического и электронного оборудования для последующей утилизации.

Сдача на слом должна производиться в соответствии с местными правилами по утилизации отходов.

За более подробной информацией о правилах обращения с такими изделиями, их утилизации и переработки обращайтесь в местные органы власти, в службу по утилизации отходов или в магазин, в котором Вы приобрели данное изделие.

Устройство разработано, испытано и изготовлено в соответствии с:

- Безопасность: EN/IEC 60335-1; EN/IEC 60335-2-31, EN/IEC 62233.
- Эксплуатационные характеристики: EN/IEC 61591; ISO 5167-1; ISO 5167-3; ISO 5168; EN/IEC 60704-1; EN/IEC 60704-2-13; EN/IEC 60704-3; ISO 3741; EN 50564; IEC 62301.
- EMC: EN 55014-1; CISPR 14-1; EN 55014-2; CISPR 14-2; EN/IEC 61000-3-2; EN/IEC 61000-3-3. Предложения для правильного использования в целях снижения воздействия на окружающую среду: Включите вытяжной колпак на минимальной скорости, когда начинаете готовить, и оставьте его работать в течение нескольких минут после того, как закончите готовить. Увеличивайте скорость только в случае большого количества дыма и пара, и прибегайте к использованию повышенных скоростей только в экстремальных ситуациях. Заменяйте угольный фильтр(ы), когда это необходимо, для поддержания хорошей эффективности уменьшения запахов. Очищайте жировой/ые фильтр(ы), когда это необходимо, для поддержания хорошей эффективности жирового фильтра. Используйте максимальный диаметр системы воздуховодов, указанный в данном руководстве, для оптимизации эффективности и минимизации уровня шума.

АНОМАЛИИ В РАБОТЕ

Если что-то не работает должным образом, перед тем как обратиться в Службу по техническому обслуживанию, выполните следующие простые проверки:

- Если вытяжка не работает:
Проверить:
 - что бы не была прервана подача тока.
 - что бы была выбрана скорость.
- Если вытяжка плохо работает:
Проверить:
 - что выбранная скорость двигателя достаточна для выработанного количества дыма и пара.
 - что кухня достаточно проветрена для того, чтобы вытяжка могла выполнить забор воздуха.
 - что угольный фильтр не отработан (вытяжка в режиме с рециркуляцией воздуха).
- Если вытяжка выключилась в ходе нормальной работы:
Проверить:
 - что не прервана подача тока.
 - что не сработал однополюсный выключающий аппарат.

В случае возможных аномалий в работе, перед тем как обратиться в службу технического обслуживания отключить от электропитания аппарат минимум на 5 секунд, вынимая вилку и потом подключить его снова. Если аномалия в работе продолжает существовать обратиться в службу техобслуживания.

ТЕХНИЧЕСКИЕ ДАННЫЕ

Модель	Высота (см)	Ширина (см)	Глубина (см)	Ø выводной трубы (см)
HNVP 6.4F AL K	69 -104	59,5	15	15
HNVP 6.6F LM K	69 -104	60	18,9	15

Смотри табличку характеристики для полного поглощения и поглощение лампы.

HNVP 6.4 AL K

	Мощность (W)	Напряжение (V)	Подключение	Размеры (mm)
Галоген	2 x 20W	12	G4	33xØ10

HNVP 6.6 LM K

Вытяжка оборудована освещением на светодиодах LED.

Для замены светодиодов обращаться в службу технического обслуживания.



Комплектующие, не входящие в комплект деталей к изделию

OGÓLNE BEZPIECZEŃSTWO

Przed każdym rozpoczęciem czyszczenia lub konserwacji należy odłączyć okap od zasilania elektrycznego poprzez wyciągnięcie wtyczki lub odłączenie głównego bezpiecznika pomieszczenia.

W trakcie wykonywania wszystkich prac instalacyjnych i konserwacyjnych należy używać rękawice robocze.

Urządzenie może być używane przez dzieci w wieku nie niższym niż 8 lat oraz osoby o ograniczonej zdolności fizycznej, czuciowej lub psychicznej lub pozbawione doświadczenia czy niezbędnej wiedzy, pod warunkiem, że pozostaną pod nadzorem lub zostaną poinstruowane o bezpiecznym używaniu urządzenia i zrozumieją niebezpieczeństwa z nim związane. Dzieci powinny być pilnowane, aby nie bawiły się urządzeniem.

Czyszczenie i konserwacja nie może być wykonywana przez dzieci pozostawione bez opieki.

Pomieszczenie, w którym zainstalowany jest okap powinno posiadać odpowiednią wentylację, kiedy jest on używany jednocześnie z innymi urządzeniami zasilanymi gazem lub innymi paliwami.

Okap należy często czyścić zarówno wewnątrz jak i zewnątrz (PRZYNAJMNIEJ RAZ W MIESIĄCU), należy przy tym przestrzegać wskazówek zapisanych w niniejszej instrukcji.

Nieprzestrzeganie zasad czyszczenia okapu oraz wymiany i czyszczenia filtrów powoduje ryzyko pożarów.

Jest surowo zabronione przygotowywanie posiłków z płomieniem pod okapem.

Używanie wolnego płomienia jest szkodliwe dla filtrów i może spowodować pożary, dlatego należy tego unikać w każdym przypadku.

Smażenie musi być wykonywane pod kontrolą, aby uniknąć zapalenia się rozgrzanego oleju.

UWAGA: Kiedy powierzchnia do gotowania jest włączona dostępne części okapu mogą się rozgrzać.

Aby wymienić lampkę należy użyć wyłącznie ten rodzaj lampki, który został wskazany w rozdziale konserwacja/wymiana lampki w niniejszej instrukcji.

Uwaga! Nie podłączać urządzenia do sieci elektrycznej dopóki instalacja nie zostanie całkowicie zakończona.

Jeśli chodzi o normy techniczne i bezpieczeństwa, których należy przestrzegać podczas wydalania oparów należy rygorystycznie przestrzegać zasad przewidzianych w regulaminie właściwych organów lokalnych.

Zasysane powietrze nie może być przekazane do kanału używanego do wydalania oparów wytworzonych przez urządzenia spalania gazów lub innych paliw.

Nie należy używać ani pozostawiać okapu pozbawionego poprawnie zamontowanych lampek w związku z możliwością porażenia prądem.

Nigdy nie używać okapu bez poprawnie zamontowanej kratki!

Okap nie może być NIGDY używany, jako płaszczyzna oparcia, o ile nie zostało to wyraźnie wskazane.

Należy używać do instalacji wyłącznie śrub mocujących będących na wyposażeniu z produktem lub jeśli ich nie ma na wyposażeniu, zakupić właściwy

rodzaj śrub. Używać śrub o odpowiedniej długości, które są opisane w Przewodniku do instalacji. W razie wątpliwości, skontaktować się z odnośnym autoryzowanym centrum obsługi lub z wykwalifikowanym personelem.

UWAGA! Niezainstalowanie śrub i urządzeń mocujących zgodnie z instrukcją może spowodować zagrożenia natury elektrycznej.

Okap może różnić się pod względem wyglądu od okapu przedstawionego na rysunkach niniejszej instrukcji, ale zalecenia dotyczące obsługi, konserwacji i montażu pozostają niezmiennione.

Przy przeprowadzaniu instalacji urządzenia należy postępować według wskazań podanych w niniejszej instrukcji. Producent uchyla się od wszelkiej odpowiedzialności za uszkodzenia wynikłe na skutek instalacji niezgodnej z informacjami podanymi w niniejszej instrukcji. Okap służy do zasysania oparów kuchennych i jest przeznaczony wyłącznie do użytku domowego.

- ! Należy zachować instrukcję obsługi aby móc z niej skorzystać w każdej chwili. W przypadku sprzedaży urządzenia lub przeprowadzki, należy upewnić się, że dołączono do niego instrukcję obsługi.
- ! Uważnie zapoznać się z treścią instrukcji obsługi, która dostarcza dokładne informacje dotyczące instalacji, użytkowania i pielęgnacji urządzenia..
- ! Nie dokonywać zmian elektrycznych czy mechanicznych w urządzeniu lub na przewodach odprowadzających.
- ! Przed przystąpieniem do montażu urządzenia należy sprawdzić czy któraś z jego części składowych nie jest uszkodzona. Jeśli tak, należy skontaktować się ze sprzedawcą i zaprzestać kontynuowania instalacji.

Minimalna odległość między powierzchnią, na której znajdują się naczynia na urządzeniu grzejnym a najniższą częścią okapu kuchennego powinna wynosić nie mniej niż 55cm w przypadku kuchenek elektrycznych i nie mniej niż 70cm w przypadku kuchenek gazowych lub typu mieszanego.

Jeżeli w instrukcji zainstalowania kuchni gazowej podana jest większa odległość, należy dostosować się do takich wskazań.

POŁĄCZENIE ELEKTRYCZNE

Napięcie sieciowe musi odpowiadać napięciu wskazanemu na tabliczce umieszczonej w wewnętrznej części okapu. Jeśli okap jest wyposażony we wtyczkę, należy ją podłączyć do gniazdka zgodnego z obowiązującymi normami i umieszczonego w łatwo dostępnym miejscu, również po zakończonej instalacji. Jeśli okap nie jest wyposażony we wtyczkę (bezpośrednie podłączenie do sieci) lub wtyczka nie znajduje się w łatwo dostępnym miejscu, również po zakończonej instalacji, należy zastosować znormalizowany wyłącznik dwubiegunowy, który umożliwi całkowite odcięcie od sieci elektrycznej w warunkach nadprądowych kategorii III, zgodnie z zasadami instalacji.

Uwaga! Przed ponownym podłączeniem obwodu okapu do zasilania i sprawdzeniem poprawności jego działania należy się zawsze upewnić, czy przewód zasilający jest prawidłowo zamontowany.

Wymiana kabla zasilającego

Okap jest wyposażony w specjalny przewód zasilający.

W razie uszkodzenia tego przewodu, należy go zamówić w biurze obsługi serwisowej.

ODPROWADZANIE POWIETRZA

(dla wersji zasysających)

Podłączyć okap do przewodu wentylacyjnego rurą odprowadzającą o średnicy odpowiadającej rozmiarowi wylotu z okapu (kołnierz łączeniowy).

Użycie przewodów o mniejszym przekroju powoduje zmniejszenie zdolności zasysania oraz drastyczne zwiększenie hałaśliwości okapu.

Producent, zatem, nie ponosi żadnej odpowiedzialności za ten stan.

! Używać jak najkrótszego przewodu.

! Używać przewodu o jak najmniejszej liczbie zagięć (maksymalny kąt zagięcia: 90°).

! Unikać radykalnych zmian przekroju przewodu.

! Producent nie ponosi żadnej odpowiedzialności w przypadku nie przestrzegania powyższych norm.

FILTRUJĄCY CZY ZASYSAJĄCY?

! Wasz okap gotowy jest do użytkowania w wersji zasysającej.

Aby używać okapu w wersji filtrującej należy zainstalować odpowiedni KOMPLET AKCESORIÓW.

Sprawdzić na pierwszych stronach niniejszej instrukcji czy KOMPLET AKCESORIÓW jest dostarczany na wyposażeniu czy też należy go zakupić oddzielnie.

Uwaga: Jeśli znajduje się na wyposażeniu, to w niektórych przypadkach, dodatkowy system filtrowania na bazie aktywnego węgla mógłby być już zainstalowany na okapie.

Informacje dotyczące transformacji okapu z wersji zasysającej na wersję filtrującą zostały umieszczone w niniejszej instrukcji.



Wersja zasysająca

Opary są usuwane na zewnątrz rurą odprowadzającą zamocowaną do kołnierza łączeniowego.

Średnica rury odprowadzającej musi być równa średnicy kołnierza łączeniowego.

Uwaga! Rura odprowadzająca nie jest dostarczona w komplecie z urządzeniem i należy ją zakupić.

Jeśli okap jest zaopatrzony w filtry węglowe, to muszą one zostać zdjęte.



Wersja filtrująca

Aby używać okapu w tej wersji należy zainstalować filtr węglowy.

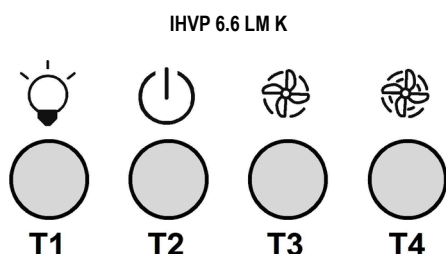
Można go kupić u sprzedawcy.

Zasysane powietrze jest oczyszczane z tłuszczu i zapachów zanim zostanie zwrócone do pomieszczenia przez kratki w górnej osłonie komina.

KOMENDY

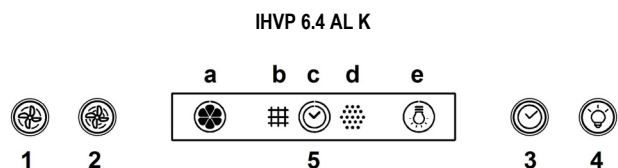
Okap jest wyposażony w panel sterowania z regulacją prędkości turbiny zasysającej oraz włącznikiem oświetlenia przestrzeni roboczej pod okapem.

Modele z mechaniczną klawiaturą



- T1. Wylłącznik światła
- T2. Wybór prędkości 1 / Wylłącznik silnika
- T3. Wybór prędkości 2
- T4. Wybór prędkości 3

Modele z klawiaturą Soft Button + Wyświetlacz LCD



1. OFF / Klawisz redukcji prędkości (mocy) zasysania
2. ON / Klawisz zwiększenia prędkości (mocy) zasysania
Uwaga: prędkość (moc) zasysania intensywnego jest ustawiana czasowo i trwa 5 minut (lampka c migocze); po ich upływie okap wraca do prędkości (mocy) zasysania 2.
3. Klawisz ON/OFF timer: opóźnia o 5 minut dezaktywację wybranej prędkość (moc) zasysania.
Uwaga: Klawisz ten jest używany również do funkcji "Reset sygnalizacji nasycenia filtra".
4. Klawisz ON/OFF oświetlenia
5. Wyświetlacz, prezentuje:
 - a. Prędkość (moc) zasysania: wskaźnik obraca się na podstawie wybranej prędkości (mocy) zasysania.
Funkcja bezpieczeństwa: lampka migocze.
 - b. Nasycenie filtra przeciw tłuszczowego: włącza się kiedy wymagana jest konserwacja filtra.
 - c. Timer.
 - d. Nasycenie filtra aktywnego węgla: włącza się kiedy wymagana jest konserwacja filtra.
Uwaga: funkcja ta normalnie jest wyłączona i jest aktywowana tylko wtedy, gdy okap jest używany w wersji filtrującej (z zamontowanym filtrem węglowym).
W tym celu należy postępować w następujący sposób:
 - Wylączyć okap.
 - Wcisnąć jednocześnie klawisze 1 i 3 i dociskać je dopóki lampka nie przestanie migotać (lampka dezaktywowana) i włącza się na stałe oświetlenie (lampka aktywowana).
 - Zwolnić klawisze.Aby dezaktywować, należy powtórzyć procedurę: lampka przechodzi od światła stałego (lampka aktywowana) do migania (lampka dezaktywowana).
 - e. Oświetlenie.

Funkcja bezpieczeństwa

Okap ma czujnik, który w razie nagłego wzrostu temperatury, aktywuje zasysanie aż do momentu, w którym temperatura zacznie znacznie spadać.

Reset sygnalizacji nasycenia filtra

Po wykonaniu konserwacji filtra, należy wcisnąć klawisz 3 i dociskać go dopóki lampka nie zgaśnie.

KONSERWACJA

Czyszczenie

Do czyszczenia używać **WYŁĄCZNIE** szmatki nawilżonej płynnymi neutralnymi środkami czyszczącymi. **DO CZYSZCZENIA NIE NALEŻY UŻYWAĆ NARZĘDZI ANI PRZYRZĄDÓW!** Unikać stosowania produktów zawierających środki ściernie. **NIE STOSOWAĆ ALKOHOLU!**

Panel zasysania obwodowego

Panel zasysający powinien być czyszczony z taką samą częstotliwością co filtr przeciw tłuszczowy, należy użyć szmatki namoczonej w niezbyt stężonym płynnym detergencie. Nie należy nigdy używać substancji ściernych.

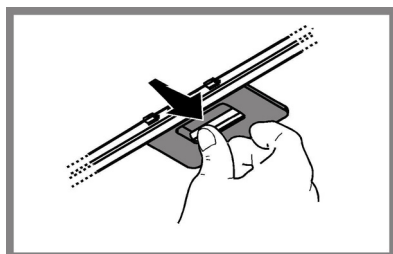
Konserwacja filtrów przeciw tłuszczowym

Zatrzymuje cząstki tłuszczu pochodzące z gotowania.

Musi być czyszczony co najmniej raz w miesiącu (lub gdy wskaźnik zanieczyszczenia filtrów – jeżeli wasz model okapu posiada wskaźnik – informuje o konieczności jego wymiany), za pomocą nieagresywnego środka czyszczącego, ręcznie lub w zmywarce w niskiej temperaturze i krótkim cyklu mycia.

Podczas mycia w zmywarce metalowy filtr tłuszczowy może się odbarwić, ale nie zmienia się jego charakterystyczne cechy filtrujące.

Aby wyjąć filtr tłuszczowy należy pociągnąć za klamkę sprężynową.

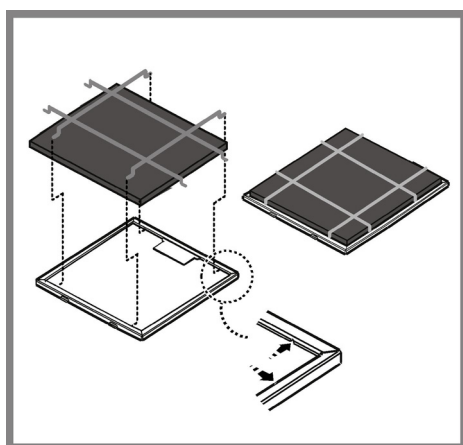


Konserwacja filtra węglowego

Zatrzymuje przykre zapachy pochodzące z gotowania.

Nasycenie filtra następuje po mniej lub bardziej długim okresie użytkowania w zależności od rodzaju kuchenki i od regularności z jaką jest wykonywane czyszczenie filtra przeciw tłuszczowego. Wkład filtra powinien być w każdym razie wymieniony po upływie nie więcej niż czterech miesięcy (lub, gdy wskaźnik nasycenia filtra sygnalizuje konieczność wymiany filtra – jeżeli posiadany model jest wyposażony w taki wskaźnik).

NIE wolno myć lub regenerować filtra.



Wymiana żarówek

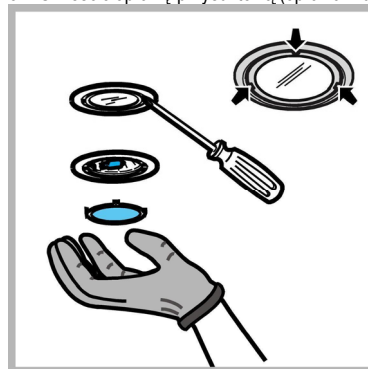
IHVP 6.4 AL K

Przed przystąpieniem do jakichkolwiek operacji związanych z konserwacją urządzenia, należy odłączyć okap od zasilania energią elektryczną.

Uwaga! Nie dotykać żarówek dopóki są gorące.

Wymienić uszkodzoną żarówkę na inną tego samego typu zgodnie ze specyfikacją znajdującą się na etykiecie charakterystyki lub w pobliżu samej żarówki na okapie.

1. Posługując się małym śrubokrętem, podważyć ochronę lampy i usunąć ją.
2. Wymienić spaloną żarówkę. Należy stosować wyłącznie żarówki halogenowe o maksymalnej mocy 20 W - 12 V - G4. Nie należy dotykać żarówek rękami.
3. Umieścić oprawę przysufitową (oprawa musi zazębic się).



IHVP 6.6 LM K

Okap zaopatrzony jest w system oświetlenia, który bazuje się na technologii LED.

LED gwarantują optymalne oświetlenie, trwałość 10 razy większą od lamp tradycyjnych i pozwalają zaoszczędzić 90% energii elektrycznej.


W celu wymiany należy zwrócić się do serwisu obsługi technicznej.

ZŁOMOWANIE

Niniejsze urządzenie posiada oznaczenia zgodnie z Dyrektywą Unijną 2012/19/EC w sprawie zużytego sprzętu elektrycznego i elektronicznego (WEEE).

Zapewniając prawidłowe złomowanie niniejszego urządzenia, przyczynia się Państwo do ograniczenia ryzyka wystąpienia negatywnego wpływu produktu na środowisko i zdrowie ludzi, które mogłoby zaistnieć w przypadku niewłaściwej utylizacji urządzenia.



Symbol  na urządzeniu lub opakowaniu oznacza, że tego produktu nie można traktować jak innych odpadów komunalnych. Należy oddać go do właściwego punktu zbiórki i recyklingu sprzętów elektrycznych i elektronicznych. Właściwa utylizacja i złomowanie pomaga w eliminacji niekorzystnego wpływu złomowanych urządzeń na środowisko oraz zdrowie. Aby uzyskać szczegółowe dane dotyczące możliwości recyklingu niniejszego urządzenia, należy skontaktować się z lokalnym urzędem miasta, służbami oczyszczania miasta lub sklepem, w którym produkt został zakupiony.

Urządzenie zostało zaprojektowane, przetestowane i wyprodukowane zgodnie z następującymi warunkami:

- Bezpieczeństwo: EN/IEC 60335-1; EN/IEC 60335-2-31, EN/IEC 62233.
- Wydajność: EN/IEC 61591; ISO 5167-1; ISO 5167-3; ISO 5168; EN/IEC 60704-1; EN/IEC 60704-2-13; EN/IEC 60704-3; ISO 3741; EN 50564; IEC 62301.
- EMC: EN 55014-1; CISPR 14-1; EN 55014-2; CISPR 14-2; EN/IEC 61000-3-2; EN/IEC 61000-3-3.

Sugestie dotyczące prawidłowego użytkowania w celu zmniejszenia wpływu na środowisko:

Włączyć okap na minimalne obroty w momencie rozpoczęcia gotowania i zostawić go włączony przez kilka minut po zakończeniu gotowania. Zwiększać obroty jedynie w przypadku dużej ilości dymu i pary oraz używać wysokich obrotów tylko w ekstremalnych sytuacjach. W razie potrzeby wymienić filtr/filtry węglowe, aby utrzymać dobrą skuteczność redukcji zapachów. W razie konieczności wyczyścić filtr/filtry smaru, aby utrzymać dobrą wydajność filtra smaru. Używać maksymalnej średnicy systemu wentylacyjnego wskazanej w niniejszej instrukcji, w celu optymalizacji wydajności i minimalizacji hałasu.

NIEPRAWIDŁOWOŚCI FUNKCJONOWANIA

Jeśli wydaje się, że coś nie działa prawidłowo, przed wezwaniem Serwisu Technicznego, należy wykonać następujące proste kontrole:

- Jeśli okap nie działa:
Sprawdzić czy:
 - nie nastąpiło przerwanie dopływu prądu.
 - została wybrana jakaś prędkość działania.
- Jeśli okap ma słabą wydajność:
Sprawdzić czy:
 - Wybrana prędkość silnika jest wystarczająca dla uwolnionej ilości dymu i oparów.
 - Kuchnia jest wystarczająco przewietrzona pozwalając na pobór powietrza.
 - Filtr węglowy nie jest zużyty (okap w wersji filtrującej).
- Jeśli okap wyłączył się w trakcie normalnego funkcjonowania:
Sprawdzić czy:
 - nie nastąpiło przerwanie dopływu prądu.
 - nie wyskoczył główny wyłącznik.

W przypadku ewentualnych nieprawidłowości działania, przed wezwaniem Serwisu Technicznego, należy przez przynajmniej 5 sekund odłączyć urządzenie od zasilania elektrycznego poprzez wyciągnięcie wtyczki a następnie ponownie je podłączyć. Jeśli nieprawidłowości dalej będą miały miejsce, należy zwrócić się do Serwisu Technicznego.

DANE TECHNICZNE

Model	Wysokość (cm)	Szerokość (cm)	Głębokość (cm)	Ø rury wydalającej (cm)
HHVP 6.4F AL K	69 -104	59,5	15	15
HHVP 6.6F LM K	69 -104	60	18,9	15

Sprawdź tabliczkę znamionową w temacie całkowitej absorpcji i absorpcji lampy.

IHVP 6.4 AL K

	Moc (W)	Napięcie (V)	Gwint	Wymiary (mm)
Halogenowa	2 x 20W	12	G4	

IHVP 6.6 LM K

Okap zaopatrzony jest w system oświetlenia, który bazuje się na technologii LED.

W celu wymiany należy zwrócić się do serwisu obsługi technicznej.



Komponenty niebędące na wyposażeniu razem z produktem

SÉCURITÉ GÉNÉRALE

Avant toute opération de nettoyage ou d'entretien, débranchez l'alimentation électrique en retirant la fiche ou en coupant l'interrupteur général.

Utilisez de gants de travail pour toute opération de nettoyage ou d'entretien.

L'appareil peut être utilisé par les enfants âgés pas moins de 8 ans et les personnes ayant des capacités réduites physiques, sensorielles ou mentales, ou sans l'expérience ou les connaissances nécessaires, uniquement sous surveillance ou après ils ont reçu des instructions relatives à l'utilisation en sécurité de l'appareil et ont compris les dangers inhérents.

Les enfants doivent être surveillés pour s'assurer qu'ils ne jouent pas avec l'appareil.

Le nettoyage et l'entretien ne doivent pas être effectués par des enfants sans surveillance.

La pièce doit avoir une aération suffisante lorsque la hotte est utilisée conjointement avec d'autres appareils fonctionnant au gaz ou autres combustibles.

La hotte doit être régulièrement nettoyée à la fois à l'intérieur et à l'extérieur (AU MOINS UNE FOIS PAR MOIS); cela devrait se faire en conformité avec les instructions d'entretien dans ce manuel. Le non respect des instructions expressément fournies dans ce mode d'emploi concernant le nettoyage de la hotte et des filtres peut provoquer des risques d'incendie.

Il est strictement interdit de flamber les aliments sous la hotte.

L'utilisation d'une flamme nue est dommageable pour les filtres et peut causer un incendie, par conséquent, elles doivent être évitées de toute façon.

La friture doit être faite avec soin afin de s'assurer que l'huile surchauffée ne prend pas feu.

AVERTISSEMENT: Lorsque la table de cuisson est en fonctionnement, les parties accessibles de la hotte peuvent devenir très chaudes.

Pour le remplacement de la lampe, utilisez uniquement le type de lampe spécifié dans la section remplacement/maintenance lampe dans ce manuel.

Attention! Ne pas brancher l'appareil au réseau électrique avant que l'installation est complètement terminée.

En ce qui concerne les mesures techniques et de sécurité à prendre pour l'évacuation des fumées, respectez strictement les dispositions des règlements locaux.

L'air d'évacuation ne doit pas être envoyé dans un conduit utilisé pour évacuer les fumées produites par les appareils de combustion de gaz ou d'autres combustibles.

Ne pas utiliser ou laisser la hotte sans les lampes correctement montées, car un éventuel risque de choc électrique est possible.

N'utilisez jamais la hotte sans la grille montée correctement!

La hotte ne doit JAMAIS être utilisée comme une surface d'appui, sauf indication expresse.

Utilisez uniquement les vis de fixation fournies avec le produit pour l'installation, ou, si non fournies, acheter le type correct de vis.

Utilisez la longueur correcte pour les vis qui sont identifiées dans le Guide d'installation. En cas de doute, consultez votre centre de service agréé ou du personnel qualifié.

ATTENTION! Le défaut d'installer les vis et les dispositifs de fixation conformément à ces instructions peut entraîner des risques électriques.

La hotte peut avoir des configurations esthétiques différentes par rapport à ce qui est illustré dans les dessins de ce manuel, cependant les instructions pour l'utilisation, l'entretien et l'installation restent identiques.

Suivre impérativement les instructions de cette notice. Le constructeur décline toute responsabilité pour tous les inconvénients, dommages ou incendies provoqués à l'appareil et dus à la non observation des instructions de la présente notice. Cette hotte prévue pour l'aspiration des fumées et vapeurs de cuisson est destinée à un usage domestique exclusivement.

- ! Il est important de conserver ce livret pour pouvoir le consulter à tout moment. En cas de vente, de cession ou de déménagement, s'assurer qu'il reste avec le produit.
- ! Lire attentivement les instructions: il y a d'importantes informations sur l'installation, sur l'emploi et sur la sécurité.
- ! Ne pas effectuer des modifications électriques ou mécaniques sur le produit ou sur les conduit d'évacuation.
- ! Avant d'installer l'appareil, vérifiez qu'il n'y a aucun composant endommagé. Sinon, contactez votre revendeur et ne pas continuer l'installation.

La distance minimum entre la superficie de support des récipients sur le dispositif de cuisson et la partie la plus basse de la hotte de cuisine ne doit pas être inférieure à 55cm dans le cas de cuisinières électriques et de 70cm dans le cas de cuisinières à gaz ou mixtes.

Si les instructions d'installation du dispositif de cuisson au gaz spécifient une plus grande distance, il faut en tenir compte.

BRANCHEMENT ÉLECTRIQUE

La tension électrique doit correspondre à la tension reportée sur la plaque signalétique située à l'intérieur de la hotte. Si une prise est présente, branchez la hotte dans une prise murale conforme aux normes en vigueur et placée dans une zone accessible également après l'installation. Si aucune prise n'est présente (raccordement direct au circuit électrique), ou si la prise ne se trouve pas dans une zone accessible également après l'installation, appliquez un disjoncteur normalisé pour assurer de débrancher complètement la hotte du circuit électrique en conditions de catégorie surtension III, conformément aux réglementations de montage.

Attention! Avant de rebrancher le circuit de la hotte à l'alimentation électrique et d'en vérifier le fonctionnement correct, contrôlez toujours que le câble d'alimentation soit monté correctement.

Changement du câble d'alimentation

La hotte est pourvue d'un câble d'alimentation spécial; en cas de détérioration du câble, en demander un neuf au service d'assistance technique.

ÉVACUATION DE L'AIR

(pour les versions aspirantes)

Relier la hotte aux tubes et trous d'évacuation de la paroi d'un diamètre équivalent à la sortie de l'air (collier de raccord).

L'utilisation de tubes et des trous d'évacuation à paroi avec un diamètre inférieur entraînera une diminution des performances d'aspiration et une nette augmentation du bruit.

Nous déclinons toute responsabilité à cet égard.

- ! Utiliser un tuyau de la longueur strictement nécessaire.
- ! Les coudes du tuyau doivent être en nombre minimale (angle maxi du coude: 90°).
- ! Éviter les variations excessives de section du tuyau.
- ! La société décline toute responsabilité si ces normes ne sont pas respectées.

FILTRANTE OU ASPIRANTE ?

- ! Votre hotte est prête pour être utilisée en version aspirante. Pour utiliser la hotte en version filtrante, il faut installer le KIT ACCESSOIRES prévu. Vérifier dans les premières pages de ce manuel si le KIT ACCESSOIRES est déjà fourni ou s'il faut l'acheter à part.
Remarque: Si fourni dans le kit, dans certains cas, le système de filtration supplémentaire à base de charbon actif pourrait déjà être installé dans la hotte.
Les informations pour la transformation de la hotte de version aspirante à version filtrante sont déjà contenues dans ce manuel.



Version aspirante

Les vapeurs sont évacuées vers l'extérieur à travers un conduit d'évacuation fixé à la bride de raccord qui se trouve au-dessus de la hotte.

Attention!

Le tuyau d'évacuation n'est pas fourni et doit être acheté à part. Le diamètre du tuyau d'évacuation doit être égal à celui de la bride de raccord. Si la hotte est équipée d'un filtre à charbon, ce dernier doit être enlevé.



Version filtrante

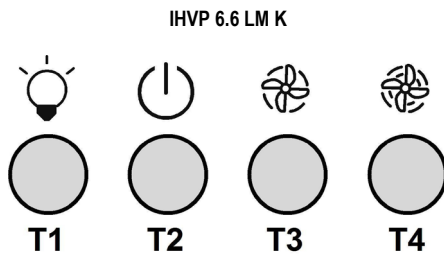
L'air d'aspiration sera dégraissé et désodorisé avant d'être renvoyé dans la pièce.

Pour utiliser la hotte dans cette version, vous devez installer un système de filtrage supplémentaire basé sur charbon actif.

COMMANDES

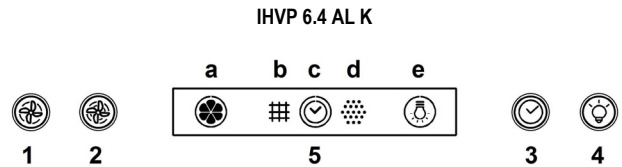
La hotte est équipée d'un panneau de contrôle doté d'une commande de vitesse d'aspiration et d'une commande d'éclairage du plan de cuisson.

Modèles avec panneau de contrôle mécanique



- T1. Interrupteur lumières ON/OFF.
- T2. Interrupteur OFF/vitesse 1
- T3. Sélection vitesse 2
- T4. Sélection vitesse 3

Modèles avec panneau de contrôle Soft Button + Display LCD



1. Touche d'arrêt/de réduction de vitesse (puissance) d'aspiration
2. Touche de mise en marche/d'augmentation de vitesse (puissance) d'aspiration

Remarque : La vitesse d'aspiration (puissance) maximale est temporisée et dure 5 minutes (l'indicateur c clignote) ; la vitesse d'aspiration (puissance) 2 est ensuite rétablie.

3. Bouton de minuterie d'activation/de désactivation : retarde de 5 minutes la désactivation de la vitesse d'aspiration (puissance) sélectionnée.

Remarque : ce bouton est également utilisé pour la fonction de réinitialisation du signal de saturation de filtre.

4. Commande Marche/Arrêt (ON/OFF) éclairage

5. Afficheur, indique :

a. **La vitesse d'aspiration (puissance) :** l'indicateur tourne en fonction de la vitesse d'aspiration (puissance) sélectionnée.

Fonctionnement de sécurité : l'indicateur clignote.

b. **Saturation du filtre à graisses :** s'active lorsque la maintenance du filtre est requise.

c. **Minuterie**

b. **Saturation du filtre à charbon actif :** s'active lorsque la maintenance du filtre est requise.

Remarque : cette fonction est normalement désactivée et doit uniquement être activée si la hotte est utilisée en tant que version avec filtre (avec filtre à charbon installé).

Pour ce faire, procédez comme suit :

- mettez la hotte hors tension
- appuyez simultanément sur les boutons 1 et 3 et maintenez-les enfoncés jusqu'à ce que l'indicateur arrête de clignoter (indicateur désactivé) pour s'allumer en continu (indicateur activé).
- relâchez les boutons.

Pour le désactiver, recommencez la procédure : l'indicateur n'est plus allumé de façon continue (indicateur activé) et clignote (indicateur désactivé).

e. **Eclairage**

Fonctionnement de sécurité

La hotte est dotée d'un capteur qui active l'appareil en cas de forte augmentation de la température, jusqu'à ce que cette dernière chute fortement.

Reinitialisation du signal de saturation du filtre

Après avoir réalisé la maintenance du filtre appuyez sur le bouton 3 et maintenez-le enfoncé jusqu'à la désactivation de l'indicateur.

ENTRETIEN

Nettoyage

Pour le nettoyage, utiliser **EXCLUSIVEMENT** un chiffon humidifié avec des détergents liquides neutres. **NE PAS UTILISER D'OUTILS OU D'INSTRUMENTS POUR LE NETTOYAGE !** Éviter l'usage de produits abrasifs, **NE PAS UTILISER D'ALCOOL!**

Panneau d'aspiration périmétral

Nettoyer le panneau d'aspiration périmétral à la même fréquence que le filtre anti-graisses, utiliser un chiffon et un détergent liquide pas trop concentré. Ne jamais utiliser de substances abrasives.

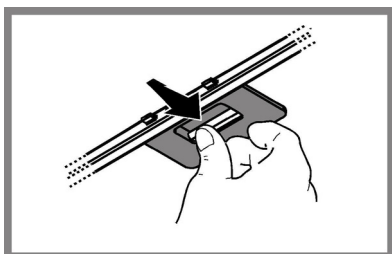
Entretien des filtres anti-graisses

Il retient les particules de graisse issues de la cuisson.

Le filtre doit être nettoyé une fois par mois (ou lorsque le système d'indication de saturation des filtres – si prévu sur le modèle possédé – indique cette nécessité) avec des détergents non agressifs, à la main ou dans le lave-vaisselle à faibles températures et cycle rapide.

Le lavage du filtre anti-graisse métallique au lave-vaisselle peut en provoquer la décoloration. Toutefois, les caractéristiques de filtrage ne seront en aucun cas modifiées.

Pour démonter le filtre anti-graisse, tirer la poignée de décrochement à ressort.

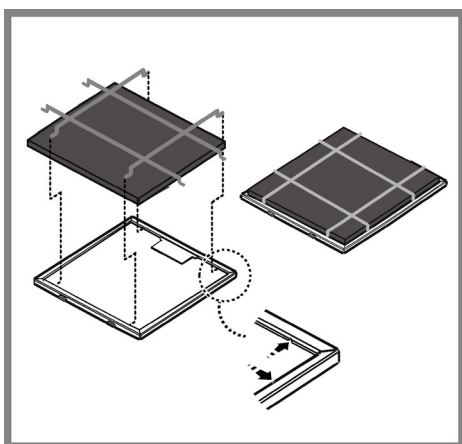


Entretien des filtres au charbon

Retient les odeurs désagréables de cuisson.

La saturation du charbon actif se constate après un emploi plus ou moins long, selon le type de cuisinière et de régularité du nettoyage du filtre à graisses. En tout cas, il est nécessaire de changer le filtre après, au maximum, quatre mois (ou lorsque le système d'indication de saturation des filtres – si prévu sur le modèle possédé – indique cette nécessité).

IL NE PEUT PAS être nettoyé ou régénéré.



Remplacement des lampes

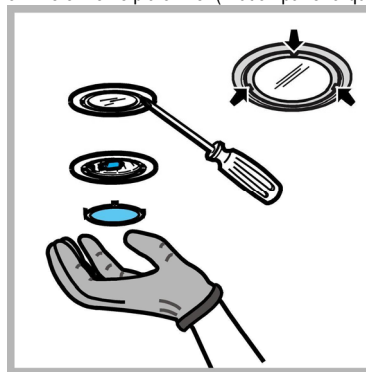
IHVP 6.4 AL K

Débrancher l'appareil du réseau électrique

Attention! Avant de toucher les lampes, assurez-vous qu'elles soient froides.

Remplacez la vieille ampoule avec le même type tel que spécifié par l'étiquette des caractéristiques ou à proximité de l'ampoule même sur le capot.

1. sortir la protection en utilisant un petit tournevis à lame plate ou tout autre outil similaire.
2. Remplacer la lampe endommagée.
Utiliser uniquement des lampes halogènes 12V -20W max - G4 (**Adaptée à un système d'éclairage ouvert**), en ayant soin de ne pas les toucher avec les mains.
3. Refermer le plafonnier (fixation par encliquetage).



IHVP 6.6 LM K

La hotte est dotée d'un système d'éclairage basé sur la technologie LED.

Les LEDS garantissent un éclairage optimal, une durée jusqu'à 10 fois supérieures aux ampoules traditionnelles et permettent une épargne de 90% en énergie électrique.


Pour le remplacement, s'adresser au service d'assistance technique.

ÉLIMINATION

Cet appareil porte le symbole du recyclage conformément à la Directive Européenne 2012/19/EC concernant les Déchets d'Équipements Électriques et Électroniques (DEEE ou WEEE).

En procédant correctement à la mise au rebut de cet appareil, vous contribuerez à empêcher toute conséquence nuisible pour l'environnement et la santé de l'homme.



Le symbole  présent sur l'appareil ou sur la documentation qui l'accompagne indique que ce produit ne peut en aucun cas être traité comme déchet ménager. Il doit par conséquent être remis à un centre de collecte des déchets chargé du recyclage des équipements électriques et électroniques.

Pour la mise au rebut, respectez les normes relatives à l'élimination des déchets en vigueur dans le pays d'installation.

Pour obtenir de plus amples détails au sujet du traitement, de la récupération et du recyclage de cet appareil, veuillez vous adresser au bureau compétent de votre commune, à la société de collecte des déchets ou directement à votre revendeur.

Appareil conçu, testé et fabriqué conformément aux normes suivantes :

- Sécurité : EN/IEC 60335-1; EN/IEC 60335-2-31, EN/IEC 62233.
- Performances : EN/IEC 61591; ISO 5167-1; ISO 5167-3; ISO 5168; EN/IEC 60704-1; EN/IEC 60704-2-13; EN/IEC 60704-3; ISO 3741; EN 50564; IEC 62301.
- EMC: EN 55014-1; CISPR 14-1; EN 55014-2; CISPR 14-2; EN/IEC 61000-3-2; EN/IEC 61000-3-3. Suggestions pour une utilisation correcte afin de réduire l'impact environnemental : Allumer la hotte à la vitesse minimum pendant la cuisson et la laisser fonctionner pendant quelques minutes après la fin de la cuisson. Augmenter la vitesse uniquement en présence d'une grande quantité de fumée ou de vapeur et n'utiliser la/les vitesse(s) accélérées que dans les cas extrêmes. Remplacer le(s) filtre(s) au charbon lorsque cela est nécessaire afin de maintenir une réduction efficace des odeurs. Nettoyer le(s) filtres à graisse lorsque cela est nécessaire afin de maintenir un filtrage efficace des graisses. Utiliser un système de tuyauterie du diamètre maximum indiqué dans ce manuel afin d'optimiser le rendement et de minimiser le bruit.

ANOMALIES DE FONCTIONNEMENT

En cas d'anomalie de fonctionnement, avant de faire appel au service d'assistance, effectuer les contrôles suivants:

- Si la hotte ne fonctionne pas:
S'assurer:
 - de l'absence de coupure de courant.
 - qu'une vitesse a été sélectionnée.
- Si la hotte a un faible rendement:
S'assurer:
 - que la vitesse du moteur sélectionnée est suffisante pour la quantité de fumée et de vapeurs libérées.
 - que la cuisine est insuffisamment aérée pour assurer une prise d'air.
 - que le filtre à charbon n'est pas usé (hotte en version filtrante).
- Si la hotte s'éteint durant son fonctionnement normal:
S'assurer:
 - de l'absence de coupure de courant.
 - que le dispositif d'interruption omnipolaire ne s'est pas déclenché.

Si la hotte ne fonctionne pas correctement, débranchez la prise pendant environ 5 secondes, puis rebranchez-la. Si le problème persiste, contactez le service de réparation compétent.

DONNÉES TECHNIQUE

Modèle	Hauteur (cm)	Largeur (cm)	Profondeur (cm)	Ø de tube d'évacuation (cm)
HHVP 6.4F AL K	69 -104	59,5	15	15
HHVP 6.6F LM K	69 -104	60	18,9	15

Voir la plaque signalétique pour la puissance totale absorbée et la puissance absorbée par l'ampoule d'éclairage.

IHVP 6.4 AL K

	Puissance (W)	Tension (V)	Culot	Dimensions (mm)
Halogène	2 x 20W	12	G4	33xØ10

IHVP 6.6 LM K

La hotte est dotée d'un système d'éclairage basé sur la technologie LED. Pour le remplacement, s'adresser au service d'assistance technique.



Éléments non fournis avec la hotte

⚠️ ÁLTALÁNOS BIZTONSÁGI ELŐÍRÁSOK

Bármilyen tisztítási és karbantartási művelet megkezdése előtt, a készüléket le kell választani az elektromos hálózatról! Húzza ki a készülék villásdugóját, vagy áramtalanítsa a háztartási elosztódoboz főkapcsolóját lekapcsolva!

Minden beszerelési és karbantartási munkálathoz használjon munkavédelmi kesztyűt!

A készüléket 8 éven felüli gyerekek, valamint a csökkent fizikális, érzékszervi és szellemi képességekkel bíró személyek, illetve azok, akik nem rendelkeznek megfelelő tudással és tapasztalattal, kizárólag megfelelő felügyelet mellett használhatják, illetve abban az esetben, ha megfelelő útmutatást kaptak a készülék biztonságos használatát illetően és megértették a készülék használatával járó veszélyeket!

Ne engedje, hogy a gyermekek játsszanak a készülékkel!

A készülék tisztítását és karbantartását gyermekek csak felügyelet mellett végezhetik!

Az elszívó más, gáz- vagy egyéb tüzelőanyagú készülékkel való egyidejű használata esetén biztosítani kell a helyiség megfelelő szellőzését!

Az elszívót mind belül, mind kívül rendszeres gyakorisággal (LEGALÁBB HAVONTA EGYSZER) tisztítani kell! A kézikönyvben feltüntetett karbantartási utasításokat minden esetben tartsa be!

Az elszívó tisztítási előírásainak, valamint a szűrők cseréjének be nem tartása tűzveszélyt okoz!

Az elszívó alatt szigorúan tilos nyílt lángon készíteni ételt!

A nyílt láng használata károsítja a szűrőket és tűzveszélyt okozhat, emiatt minden esetben kerülni kell a nyílt láng használatát!

Ne hagyja őrizetlenül a sütetést, mert a túlhevült olaj meggyulladhat!

FIGYELEM! A főzőlap működése közben az elszívó hozzáférhető részei felforrósodhatnak!

Az izzó cseréjéhez kizárólag az e kézikönyv „karbantartás - izzó cseréje” c. részben megadott típusú izzót használjon!

Figyelem! Ne csatlakoztassa a készüléket az elektromos hálózatra, amíg a beszerelést teljesen el nem végezte!

A füstelvezetéshez szükséges műszaki és biztonsági intézkedéseket illetően, az illetékes helyi hatóságok vonatkozó rendeleteit szigorúan tartsa be!

A keringetett levegőt nem szabad a gáz- vagy egyéb égéstermék üzemű készülékek füstjének elvezetéséhez használt csőben szállítani!

Ne használja az elszívót helytelenül felszerelt lámpával, illetve ne hagyja azt lámpa nélkül, mert áramütést okozhat!

Soha ne használja az elszívót felszerelt rostély nélkül!

Az elszívót SOHA ne használja tárolófelületként, hacsak az ilyen célra való használata nincs egyértelműen jelezve!

Beszereléshez kizárólag a készülékhez mellékelte csavarokat használja! Amennyiben a csavar nem része a csomagnak, ügyeljen a megfelelő típusú csavarok beszerzésére! A beszerelési útmutatóban feltüntetett, megfelelő hosszúságú csavarokat használjon! Kétség esetén kérjen tájékoztatást a szakszerviztől, vagy hasonló képesítésű személyzettől!

FIGYELEM! A csavarok és rögzítő elemeknek nem az útmutató szerinti felhelyezése áramütés-veszélyt okozhat!

Az elszívó esztétikai megjelenésében eltérhet a jelen kézikönyv ábráin szereplőtől, de a használati, karbantartási és felszerelési utasítások nem változnak.

Ezen kézikönyv utasításait szigorúan be kell tartani. Az itt feltüntetett utasítások be nem tartásából származó bármilyen hiba, kár vagy tüzesettel kapcsolatban a gyártó felelősséget nem vállal. A páraelszívó a főzési pára és füst elszívására szolgál, kizárólag háztartási használatra.

- ! Fontos, hogy ezt a kézikönyvet megőrizze, hogy bármikor tájékozódhasson belőle. Eladás, átadás vagy költözés esetén gondoskodjon arról, hogy a kézikönyv a terméket kísérelje.
- ! Az útmutatásokat figyelmesen olvassa el: fontos tájékoztatások találhatók köztük a telepítésre, a használatra és a biztonságra vonatkozóan.
- ! Ne módosítsa a termék elektromos vagy mechanikai rendszerét, vagy a kivezető csöveket.
- ! A berendezés beszerelésének megkezdése előtt győződjön meg róla, hogy minden alkatrész sérülésmentes-e. Ellenkező esetben forduljon a viszonteladóhoz és ne szerelje fel a berendezést.

A főzőkészülék felülete és a konyhai szagelszívó legalsó része közötti minimális távolság nem lehet kisebb, mint 55cm elektromos főzőlap, és 70cm gáz vagy vegyes tüzelésű főzőlap esetén.

Ha a gázfőzőlap beszerelési utasításában ennél nagyobb távolság szerepel, azt kellfigyelembe venni.

ELEKTROMOS CSATLAKOZÁS

A hálózati feszültségnek azonosnak kell lennie a konyhai páraelszívó belsejében elhelyezett műszaki adattáblán feltüntetett feszültséggel. Ha az elszívó rendelkezik villásdugóval, csatlakoztassa egy hozzáférhető helyen elhelyezett, az érvényben lévő szabványoknak megfelelő dugaszoló aljzathoz, akár a beszerelést követően is. Ha nem rendelkezik csatlakozódugóval (közvetlen csatlakozás a hálózathoz) vagy a dugaszoló aljzat nem hozzáférhető, szereljen fel egy szabványos, kétpólusú megszakítót akár a beszerelést követően is, amely III. túláram-kategória esetén biztosítja a hálózatról való teljes leválasztását, a telepítési szabályoknak megfelelően.

Figyelem! mielőtt az elszívó áramkörét visszaköti a hálózatba és ellenőrzi, hogy az elszívó helyesen működik-e, mindig ellenőrizze azt is, hogy a hálózati vezeték beszerelése szabályos-e.

Elektromos vezeték cseréje

Az elszívó speciális kábellel rendelkezik, melynek sérülése esetén cseréjét kérje a szakszervíz szolgáltatótól.

LÉGKIVEZETÉS

(kivezetett verziónál)

Csatlakoztassa a páraelszívót a levegőkimenettel (csatlakozó karima) azonos átmérőjű kivezető csőhöz.

A kisebb átmérőjű cső használata az elszívás hatásfokának csökkenését és a készülék zajszintjének drasztikus növekedéséhez vezet.

Ezért ezzel kapcsolatban felelősséget nem vállalunk.

! Minimális hosszúságú csővezetékét használjon.

! A csővezeték a lehető legkevesebb hajlattal rendelkezzen (maximális hajlásszög: 90°).

! Kerülje a cső deformálódását.

! A gyártó nem vállal felelősséget a fent leírt előírások be nem tartása esetén.

KERINGETETT VAGY KIVEZETETT ?

! Az Ön által vásárolt elszívó kivezetett változatban való alkalmazásra készült. Amennyiben a páraelszívót keringetett verzióban szeretné használni, úgy a megfelelő **KELLÉK KÉSZLETET** be kell szerelnie.

Ellenőrizze ezen kézikönyv első oldalain, hogy a **KELLÉK KÉSZLET** a csomag része-e, vagy külön szükséges-e megvásárolnia.

Megjegyzés: Amennyiben a készlet része, előfordulhat, hogy az aktív szénfilter alapú kiegészítő szűrőrendszer a páraelszívóba már beépítésre került.

A páraelszívó kivezetett verzióból keringetett verziójává való átalakításához szükséges információkat ebben a kézikönyvben megtalálja.



Kivezetett verzió

A gőzök kivezetése a gyűjtőkarimához rögzített elvezető csövön történik.

Az elvezetőcső átmérője az összekötő gyűrű átmérőjével azonos kell legyen.

Figyelem! Kivezetőcső nincs a csomagban, külön kell azt megvennie.

Amennyiben az elszívó szénfilteres, szükséges annak kiemelése.



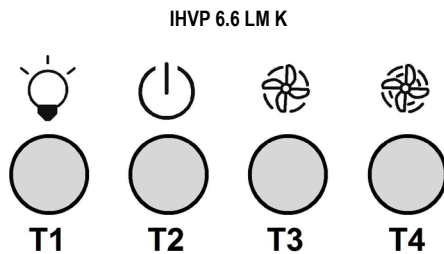
Keringetett verzió

Az elszívott levegő zsirtalanításra, majd szagtalanításra kerül, mielőtt a terembe visszaáramoltatásra kerülne. Az elszívó ilyen üzemmódban való használatához szükséges további, aktív szén alapú szűrőrendszer installálása.

VEZÉRLŐGOMBOK

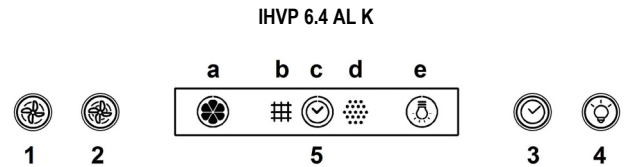
Az elszívó szíváserősség-szabályozóval és főzőlapvilágítás-kapcsolóval ellátott kezelőpanellel rendelkezik.

Mechanikus gombos modellek



- T1. világítás kapcsoló BE/KI
- T2. Motor KI kapcsoló/ 1. sebesség
- T3. 1. sebesség kiválasztás
- T4. 3. sebesség kiválasztás

Soft gombos és LCD kijelzős modellek



1. **KI/elszívás sebesség (teljesítmény) csökkentés gomb**
2. **BE/elszívás sebesség (teljesítmény) növelő gomb**
Megjegyzés: az intenzív elszívás sebesség (teljesítmény) 5 percgig tart, amelynek letelte után az elszívó automatikusan a 2. elszívási sebességre (teljesítmény) kapcsol vissza.
3. **Timer BE/KI gomb** a választott elszívás sebesség (teljesítmény) leállítását 5 perccel késlelteti.
Megjegyzés: ez a gomb szolgál a szűrő kijelzés újraállítására is.
4. **Világítás BE/KI gomb**
5. **Kijelző, amelyen látható:**
 - a **Az elszívás sebesség (teljesítmény):** a kijelző a kiválasztott sebességnek (teljesítménynek) megfelelően elfordul.
Biztonsági funkció a jelzőlámpa villog
 - b. **Zsírészűrő telítettség:** világít, ha a szűrő karbantartása szükséges.
 - c. **Timer.**
 - d. **Aktív szénfilter telítettség:** világít, ha a szűrő karbantartása szükséges.
Megjegyzés A funkció gyárilag ki van kapcsolva. Bekapcsolását csak akkor kell elvégeznie, ha az elszívót keringetett módban (beszerelt aktív szénfilterrel) használja!
Ehhez az alábbiak szerint járjon el:
 - Kapcsolja ki az elszívót!
 - Egyszerre nyomja le az 1. és 3. gombokat és hagyja lenyomva, míg a jelzőfény abba nem hagyja a villogást (kikapcsolt) és álló fényvel nem ég (bekapcsolt jelzőfény).
 - Engedje el a gombokat.A kijelzés kikapcsolásához ismétlje meg az eljárást: ekkor a jelzőfény az álló fényből (bekapcsolt fény) villogásra vált (kikapcsolt fény).
 - e. **Világítás.**

Biztonsági funkció

Az elszívó szenzorral rendelkezik, amely hirtelen hőmérséklet emelkedés esetén bekapcsolja az elszívást míg a hőmérséklet érezhetően le nem esik.

Szűrő telítettség kijelzés újraállítása

Miután elvégezte a szűrő karbantartását, nyomja meg és tartsa lenyomva a 3. gombot, amíg a jelzőfény ki nem alszik.

KARBANTARTÁS

Tisztítás

A tisztításhoz **KIZÁRÓLAG** semleges folyékony mosószerrel átitatott nedves ruhát használjon. **A TISZTÍTÁSHOZ NINCS SZÜKSÉG SEMMILYEN ESZKÖZRE.** Kerülje a sűrűlőszert tartalmazó mosószerek használatát. **NE HASZNÁLJON ALKOHOLT!**

Külső elszívőpanel

Az elszívő panel külső felületét a zsírszűrővel megegyező gyakorisággal tisztítsa; puha ronggyal, és nem tömény folyékony tisztítószerrel. Soha ne alkalmazzon sűrűlőszert.

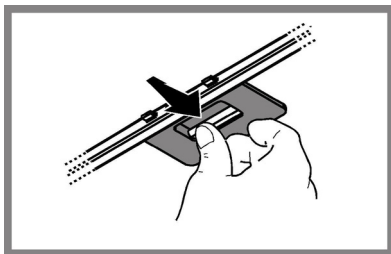
Zsírszűrők karbantartása

Visszatartja a főzésből eredő zsírrészecskéket.

Havonta egyszer (vagy amikor a filter telítődésjelző rendszere - ha a megvásárolt modell rendelkezik ilyenrel - jelzi, hogy szükség van rá) nem agresszív tisztítószerrel, kézzel vagy mosogatógépben, alacsony hőfokon és rövid ciklussal el kell mosogatni.

Mosogatógépben történő mosogatás a zsírszűrő elszíneződését okozhatja, de ez nem változtat hatékonyságán.

A zsírszűrő filter leszereléséhez húzza meg a rugós horgot.

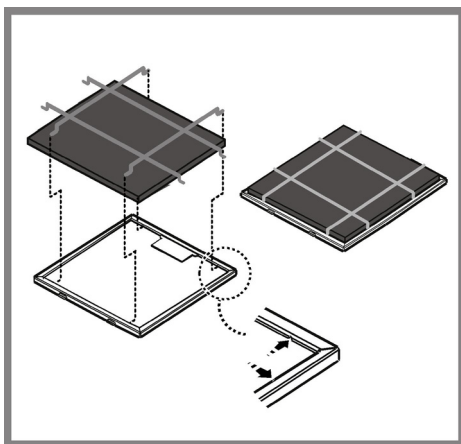


Szénfilter karbantartása

Magában tartja a főzésből származó kellemetlen szagokat.

A szénfilter telítődése többé vagy kevésbé hosszú idő alatt történik meg, a tűzhely típusától és a zsírszűrő tisztogatásának rendszerességétől függően. Mindenképpen cserélni kell a betétet legalább négyhavonként (vagy amikor a filterek telítődését jelző rendszer – ha a birtokunkban lévő modellnél van ilyen - ennek szükségességét jelzi.

NEMŐZE byt umývany alebo regenerovaný.



Izzók cseréje

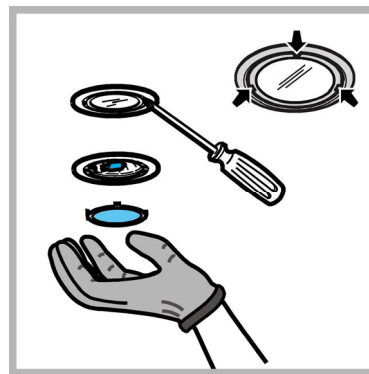
IHVP 6.4 AL K

Bármilyen karbantartási munka megkezdése előtt szüntesse meg az elszívő áramellátását, kösse ki a hálózatról.

Figyelem! Mielőtt a lámpákhoz érne, győződjön meg róla, hidegek-e.

A sérült izzót a címkén, vagy az elszívő lámpán feltüntetettnek megfelelően azonos típusú izzóra cserélje.

1. Egy kis csavarhúzó vagy hasonló szerszám segítségével vegye ki a védőburkolatot.
2. Cserélje ki a meghibásodott égőt.
Csak 12V - 20W max - G4 halogén égőket használjon, vigyázzon arra, hogy kézzel ne érjen hozzájuk.
3. Zárja vissza a lámpaburát (bepattan).



IHVP 6.6 LM K

Az elszívő LED technológiára épülő világítási rendszerrel van felszerelve.

A LEDEK optimális megvilágítást biztosítanak, a hagyományos lámpák élettartamánál 10-szer nagyobb élettartammal rendelkeznek, mindemellett 90%-os elektromos energia megtakarítást tesznek lehetővé.

Izzócsere esetén forduljon a szakszervízhez.

HULLADÉK KEZELÉS

A készüléken található jelzés megfelel az elektromos és elektronikus berendezések hulladékairól szóló 2012/19/EC európai irányelvben (WEEE) foglalt előírásoknak.

A hulladékká vált termék szabályszerű elhelyezésével Ön segít elkerülni a környezettel és az emberi egészséggel kapcsolatos azon esetleges negatív következményeket, amelyeket a termék nem megfelelő hulladékkezelése egyébként okozhatna.

A terméken vagy a termékhez mellékelt dokumentumokon feltüntetett



■ jelzés arra utal, hogy ez a termék nem kezelhető háztartási hulladékként. Ehelyett a terméket a villamos és elektronikus berendezések újrahasznosítását végző telephelyek valamelyikén kell leadni.

Kiselejtezőskor a hulladéktávollításra vonatkozó helyi környezetvédelmi előírások szerint kell eljárni.

A termék kezelésével, hasznosításával és újrahasznosításával kapcsolatos bővebb tájékoztatásért forduljon a lakóhelye szerinti polgármesteri hivatalhoz, a háztartási hulladékok kezelését végző társasághoz vagy ahhoz a bolthoz, ahol a terméket vásárolta.

A berendezést a következő szabványoknak megfelelően tervezték, gyártották, és ellenőrizték:

- Biztonság: EN/IEC 60335-1; EN/IEC 60335-2-31, EN/IEC 62233.
- Teljesítmény: EN/IEC 61591; ISO 5167-1; ISO 5167-3; ISO 5168; EN/IEC 60704-1; EN/IEC 60704-2-13; EN/IEC 60704-3; ISO 3741; EN 50564; IEC 62301.
- Elektromágneses összeférhetőség EMC: EN 55014-1; CISPR 14-1; EN 55014-2; CISPR 14-2; EN/IEC 61000-3-2; EN/IEC 61000-3-3.

A megfelelő használatot és a környezetre gyakorolt káros hatás mérséklését elősegítő javaslatok: Az elszívót a minimum sebességen kapcsolja be akkor, amikor a főzést megkezd, és hagyja néhány percig üzemelni még azt követően is, hogy a főzést befejezte. A berendezést csak akkor kapcsolja nagyobb sebességfokozatra, ha a főzés közben nagy mennyiségű füst vagy gőz keletkezik, és csak akkor használja az intenzív sebességet, ha arra ténylegesen szükség van. Cserélje ki a szénzsűrőket akkor, amikor a berendezés jelzi ennek szükségességét, így biztosíthatja, hogy a készülék hatékonyan nyeli el a szagokat. A megfelelő szűrőképesség biztosítása érdekében cserélje ki a zsírszűrőt akkor, amikor a berendezés erre figyelmeztet. A hatékonyság növelése és a zajszint csökkentése érdekében tanácsos a jelen útmutató által megadott maximális csőátmérőket alkalmazni.

MŰKÖDÉSI HIBÁK

Amennyiben úgy tapasztalja, hogy valami nem működik, mielőtt a Szervíz szolgálatához fordulna, próbálja elvégezni az alábbi egyszerű ellenőrzéseket:

- Ha az elszívó nem működik
Ellenőrizze, hogy:
 - nincs-e áramkimaradás.
 - be van-e állítva a sebesség.
- Ha az elszívó alacsony teljesítményű
Ellenőrizze, hogy:
 - A kiválasztott motorsebesség megfelelő-e a keletkezett füst- és gőz elvezetésére
 - A konyha megfelelően szellőzőt-e a működéshez szükséges levegő biztosításához.
 - A szénfilter nem használandó-e el (kivezetett verziójú páraelszívó).
- Ha az elszívó normál működés közben állt le:
Ellenőrizze, hogy:
 - nincs-e áramkimaradás.
 - a biztosíték nem kapcsolódott-e le.

Az esetleges működési hibák esetén, mielőtt a szakszervízhez fordulna, húzza ki a készülék villásdugóját az elektromos hálózathoz legalább 5 másodpercre, majd próbálja újra áram alá helyezni. Amennyiben a hiba továbbra is fennáll, forduljon a szakszervízhez.

MŰSZAKI ADATOK

Modell	Magasság (cm)	Hosszúság (cm)	Mélység (cm)	kivezetőcső Ø (cm)
HHVP 6.4F AL K	69 -104	59,5	15	15
HHVP 6.6F LM K	69 -104	60	18,9	15

A teljes abszorpció és a lámpa abszorpcióját illetően lásd a címkét!

IHVP 6.4 AL K

	Teljesítmény (W)	Feszültség (V)	Foglalat	Méreték (mm)
Halogén	2 x 20W	12	G4	33xØ10

IHVP 6.6 LM K

Az elszívó LED technológiára épülő világítási rendszerrel van felszerelve. Izzócsere esetén forduljon a szakszervízhez.



Készletben nem mellékelt termékek

⚠ VŠEOBECNÁ BEZPEČNOSTNÍ OPATŘENÍ

Před jakýmkoli čištěním či údržbou odpojte digestoř z elektrické sítě odpojením ze zásuvky nebo vypnutím hlavního domovního vypínače.

Při jakýchkoli úkonech spojených s instalací či údržbou používejte ochranné rukavice.

Tento přístroj mohou používat děti starší 8 let a osoby se sníženými tělesnými, smyslovými či duševními schopnostmi nebo osoby bez patřičných zkušeností a znalostí, pouze pokud jsou pod neustálým dozorem nebo byly poučeny o bezpečném použití výrobku a jsou si vědomy rizik spojených s jeho použitím.

Je nutné se ujistit, zda si děti nehrají se zařízením.

Čištění a údržba nesmí být prováděna dětmi bez dozoru.

Místnost musí být dostatečně větraná, pokud je digestoř používána společně s jinými spalovacími zařízeními na plyn či jiná paliva.

Vnitřní a vnější části digestoře musí být často čištěny (**NEJMÉNĚ JEDNOU ZA MĚSÍC**), za dodržení výslovných pokynů uvedených v pokynech pro údržbu uvedených v tomto návodu.

Při nedodržení pokynů pro čištění digestoře a výměnu a čištění filtrů hrozí nebezpečí požáru.

Je přísně zakázáno připravovat pod digestoří pokrmy na ohni.

Použití otevřeného ohně může poškodit filtry a způsobit požáry, proto oheň nesmí být nikdy používán.

Zvýšenou pozornost je nutné věnovat smažení, protože přehřátý olej by se mohl vznítit.

POZOR: Pokud je varná deska v provozu, přístupné části digestoře se mohou stát velmi teplými.

Při výměně žárovky používejte pouze typ žárovky uvedený v tomto návodu, v části věnované údržbě/výměně žárovek.

Pozor! Nepřipojujte přístroj k elektrické síti, dokud instalace nebude zcela ukončena.

Co se týče technických a bezpečnostních opatření pro odvod kouře, postupujte přesně podle předpisů příslušných místních orgánů.

Odsávaný vzduch musí být odváděn do potrubí používaného pro odtah kouřů vznikajících při použití spalovacích zařízení na plyn či jiná paliva.

Nepoužívejte a nenechávejte digestoř bez správně instalovaných žárovek, jelikož hrozí nebezpečí úrazu elektrickým proudem.

Nikdy nepoužívejte digestoř bez správně namontované mřížky!

Digestoř nesmí být **NIKDY** používána jako opěrná plocha, pokud pro tento účel není výslovně určena.

Při instalaci používejte pouze úchytné šrouby dodané z výrobkem. Pokud šrouby nejsou součástí vybavení, zakupte správný typ šroubů. Používejte šrouby se správnou délkou, podle pokynů v Návodu pro instalaci. V případě pochyb se obraťte na pověřený servis nebo se poraďte s odborným personálem.

POZOR! V případě chybějící instalace šroubů a úchytných prvků dle pokynů uvedených v tomto návodu může dojít k vzniku nebezpečí elektrické povahy.

Digestoř může mít odlišný vzhled od ilustrací na výkresech této příručky, nicméně návod k použití, údržba a montáž zůstávají nezměněny.

Výrobce odmítá převzít jakoukoliv odpovědnost za případné závady, škody nebo vznícení digestoře, které byly způsobeny nedodržением těchto předpisů. Digestoř je projektována pro odsávání dýmů a par při vaření a je určena pouze k domácím účelům.

- ! Je důležité uchovat si tuto příručku, abyste ji mohli konzultovat v jakémkoliv okamžiku. V případě prodeje, postoupení či stěhování si zajistěte, aby zůstala společně s přístrojem.
- ! Přečtěte si pozorně návod: obsahuje důležité informace o instalaci, užití a bezpečnosti.
- ! Neměňte elektrickou či mechanickou úpravu výrobku anebo vývodního zařízení.
- ! Před instalací zařízení zkontrolujte, zda některá ze součástí není poškozena. V opačném případě kontaktujte prodejce a nepokračujte v instalaci.

Minimální vzdálenost mezi podporou nádoby na varné ploše a nejnižší částí digestoře nesmí být menší než 55cm v případě elektrických sporáků 70cm v případě plynových či smíšených sporáků.
Pokud návod na instalaci varného zařízení na plyn doporučují větší vzdálenost, je třeba se tímto pokynem řídit.

NAPOJENÍ NA ELEKTRICKOU SÍŤ

Síťové napětí musí odpovídat napětí uvedenému na štítku s charakteristikami umístěného uvnitř krytu. Pokud je kryt vybaven přípojkou, stačí jej zapojit do zásuvky odpovídající stávajícím normám, která se nachází ve snadno dosažitelném prostoru i po provedené montáži. Pokud kryt není vybaven přípojkami (přímé připojení k síti) nebo se zásuvka nenachází ve snadno dosažitelném prostoru i po provedené montáži, je třeba použít dvojpólový vypínač odpovídající normám, který zaručí úplné odpojení od sítě v podmínkách kategorie přepětí III, v souladu s pravidly instalace.

Pozor! Dříve než opět napojíte obvod digestoře na síťové napájení a ověříte správné fungování, zkontrolujte si vždy, že síťový kabel byl správně namontován.

Výměna napájecího kabelu

Digestoř je vybavena speciálním napájecím kabelem; v případě poškození kabelu vyžádejte si ho u servisní služby.

VÝVOD VZDUCHU

(pro odsávací verze)

Napojte digestoř na odtahového potrubí se stejným průměrem jako vývod vzduchu (spojovací příruba).

Použití odtahového potrubí s menším průměrem způsobí snížení výkonu a zvýšení hluku.

Za to výrobce odmítá jakoukoliv zodpovědnost.

- ! Používejte co nejkratší odtahové potrubí.
- ! Používejte odtahové potrubí s co nejmenším počtem záhybů (maximální úhel záhybu: 90°).
- ! Vyhněte se zásadním změnám sekce vedení odtahu.
- ! Výrobce odmítá veškerou zodpovědnost v případě, že tyto předpisy nebudou dodržovány.

FILTRUJÍCÍ ANEBU ODSÁVACÍ?

! Vaše digestoř je připraven k použití v odsávací verzi.

K použití ve filtrující verzi je třeba instalovat příslušný KIT PŘÍSLUŠENSTVÍ.

Ověřte si na prvních stránkách této příručky, zda KIT PŘÍSLUŠENSTVÍ je součástí vybavení přístroje anebo zda je třeba ho zakoupit.

Poznámka: Pokud je součástí vybavení, v některých případech dodatekový filtrační systém založený na aktivních uhlících by již mohl být nainstalován na digestoři.

Informace týkající se přeměny digestoře z odsávací verze na verzi filtrující jsou obsaženy v této příručce.



Odsávací verze

Páry jsou vyváděny mimo místnost odtahovým potrubím upevněného na spojovací přírubě.

Průměr odtahového potrubí se musí rovnat průměru spojovacího prstence.

Pozor! Odtahové potrubí není součástí vybavení a je třeba ho zakoupit.

Jestliže je digestoř vybavena filtry s uhlíkem, musejí být vyňaty.



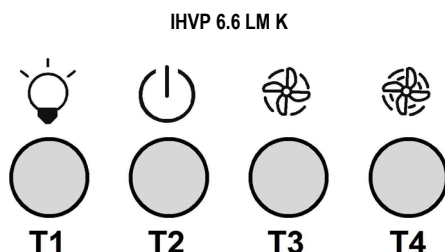
Filtrující verze

Odsávaný vzduch bude před návratem do místnosti zbaven tuku a pachů. K použití digestoře v této verzi je nutné instalovat dodatečný systém filtrování na základě aktivních uhlíků.

OVLÁDÁNÍ

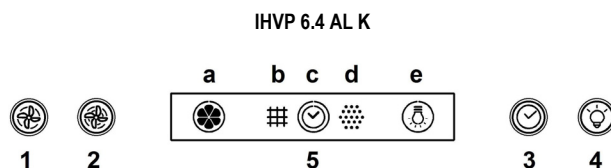
Odsavač je vybaven ovládacím panelem s ovládáním rychlosti odsávání a zapínáním osvětlení pracovní plochy.

Modely s mechanickými ovladači



- T1. spínač osvětlení ON/OFF.
- T2. vypínač OFF/rychlost 1
- T3. volba rychlosti 2
- T4. volba rychlosti 3

Modely s ovladači Soft Button + Displej LCD



1. OFF / Tlačítko pro snížení rychlosti (výkonu) odsávání
2. ON / Tlačítko pro zvýšení rychlosti (výkonu) odsávání
Poznámka: intenzivní rychlost (výkon) odsávání je načasována na 5 minut (kontrolka c bliká); poté se digestoř opět přepne na rychlost (výkon) odsávání 2.
3. Tlačítko ON/OFF časovače: zpozdí o 5 minut deaktivaci zvolené rychlosti (výkonu) odsávání.
Poznámka: toto tlačítko se používá též pro funkci "Reset signalizace zanesení filtru".
4. Tlačítko ON/OFF světel
5. Displej, znázorňuje:
 - a. Rychlost (výkon) odsávání: ukazatel se otáčí podle zvolené rychlosti (výkonu) odsávání.
Bezpečnostní funkce: kontrolka bliká.
 - b. Zanesení tukového filtru: rozsvítí se, pokud je nutné provést údržbu filtru.
 - c. Časovač.
 - d. Zanesení aktivního uhlíkového filtru: rozsvítí se, pokud je nutné provést údržbu filtru.
Poznámka: tato funkce je běžně vypnutá a aktivuje se, pouze pokud je digestoř používána ve filtrační verzi (s instalovaným uhlíkovým filtrem).
V tomto případě postupujte následujícím způsobem:
 - Vypněte digestoř.
 - Stiskněte současně tlačítka 1 a 3 a přidržte je stisknuté, dokud kontrolka nepřestane blikat (deaktivovaná kontrolka) a bude svítit nepřerušovaně (aktivovaná kontrolka).
 - Uvolněte tlačítka.
 Pro deaktivaci zopakujte postup: kontrolka přestane svítit nepřerušovaně (aktivovaná kontrolka) a začne blikat (deaktivovaná kontrolka).
 - e. Osvětlení.

Bezpečnostní funkce

Digestoř je vybavena snímačem, který v případě náhlého zvýšení teploty aktivuje odsávání, dokud se teplota výrazně nesníží.

Reset signalizace zanesení filtru

Po ukončení údržby filtru stiskněte tlačítko 3 a přidržte jej stisknuté, dokud kontrolka nezhasne.

ÚDRŽBA

Čištění

Pro čištění je třeba použít **VÝHRADNĚ** látku navlhčenou neutrálními tekutými čisticími prostředky. **NEPOUŽÍVEJTE ŽÁDNÉ NÁSTROJE NEBO POMŮCKY NA ČIŠTĚNÍ.**

NEPOUŽÍVEJTE ALKOHOL!

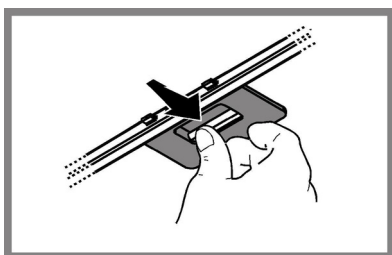
Obvodový panel odsávání

Vyčistěte obvodový odsávací panel stejně často jako filtr proti mastnotám, používejte látku a tekutý nepříliš koncentrovaný rozpouštěcí prostředek. Nepoužívejte nikdy brusné látky.

Údržba tukových filtrů

Zadržuje částice tuku uvolňující se při vaření.

Tukový filtr se musí 1x do měsíce vyčistit (vyprat), anebo jestliže systém vyznačování saturace filtru - pokud je součástí vybavení vlastního modelu - vyznačuje tuto potřebu. Je možné jej čistit ručně jemným mycím prostředkem nebo v kuchyňské myčce při nejnižší teplotě a kratším programu. Demontáž tukového filtru je znázorněna - zatlačte na západku filtru.

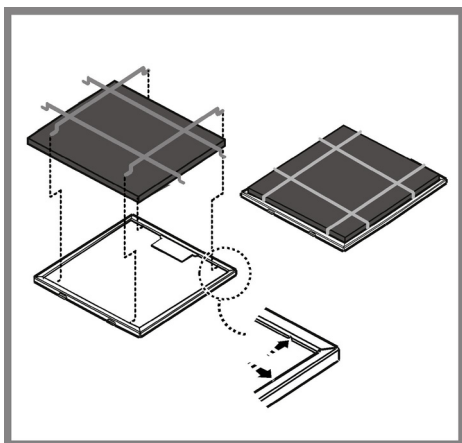


Údržba filtrů s uhlíkem

Tento filtr pohlcuje nepříjemné pachy vznikající při vaření.

Saturace filtru s uhlíkem nastane po více či méně dlouhém užití, tj. závisí na typu kuchyně a pravidelném čištění filtru proti mastnotám. V každém případě je nutné nahradit patronu maximálně jednou za 4 měsíce (anebo jestliže systém vyznačování saturace filtru - pokud je součástí vybavení vlastního modelu - vyznačuje tuto potřebu).

NEMŮŽE být umýván či regenerován.



Výměna svítidel

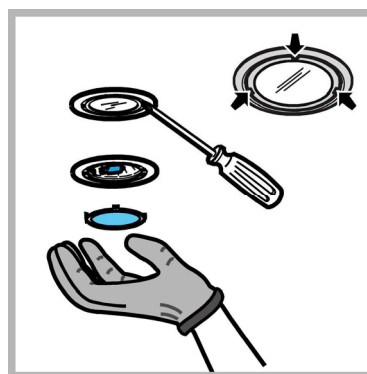
IHVP 6.4 AL K

Odpojte přístroj z elektrické sítě.

Pozor! Dříve než se dočtnete svítidel si ověřte že vychladla.

Poškozenou žárovku vyměňte za novou stejného typu, dle údajů uvedených na technickém štítku nebo vedle žárovky přímo na digestoři.

1. Vyjměte ochranu jemným vypáčením pomocí malého šroubováku či podobného nástroje.
2. Vyměňte poškozenou žárovku.
Používejte pouze halogenová svítidla o výkonu 12V - 20W max - G4 a dávejte pozor, abyste se jich nedotýkali rukama.
3. Uzavřete opět stropní lampu (je upevněna na západku)



IHVP 6.6 LM K


Digestoř je vybavena osvětlovacím systémem založeným na technologii DIOD. DIODY zaručují optimální osvětlení, s trvanlivostí až 10 krát delší než tradiční svítidla a umožňují úspory 90% elektrické energie.

Pro výměny se obraťte na servisní službu.

LIKVIDACE ODPADU

Tento spotřebič je označený v souladu s evropskou směrnicí 2012/19/EC o likvidaci elektrického a elektronického zařízení (WEEE). Zajištěním správné likvidace tohoto výrobku pomůžete zabránit případným negativním důsledkům na životní prostředí a lidské zdraví, ke kterým by nevhodnou likvidací tohoto výrobku mohlo dojít.



Symbol  na výrobku nebo na dokumentech přiložených k výrobku udává, že tento spotřebič nepatří do domácího odpadu. Spotřebič je nutné odvézt do sběrného místa pro recyklaci elektrického a elektronického zařízení.

Likvidace musí být provedena v souladu s místními předpisy o ochraně životního prostředí, které se týkají likvidace odpadu.

Podrobnější informace o zpracování, rekuperaci a recyklaci tohoto výrobku zjistíte u příslušného místního úřadu, služby pro likvidaci domovního odpadu nebo v obchodě, kde jste výrobek zakoupili.

Přístroj byl navržen, testován a vyroben v souladu s:

- Bezpečnost: EN/IEC 60335-1; EN/IEC 60335-2-31, EN/IEC 62233.
- Výkonost: EN/IEC 61591; ISO 5167-1; ISO 5167-3; ISO 5168; EN/IEC 60704-1; EN/IEC 60704-2-13; EN/IEC 60704-3; ISO 3741; EN 50564; IEC 62301.
- EMC: EN 55014-1; CISPR 14-1; EN 55014-2; CISPR 14-2; EN/IEC 61000-3-2; EN/IEC 61000-3-3.

(Osobitý mezinárodní výbor pro rádiové rušení, pozn. překl)

Doporučení pro správné použití s cílem snížit dopad na životní prostředí:

Zapněte digestoř na minimální rychlost, když začnete s vařením a nechte ji běžet několik minut poté, co jste vaření ukončili. Zvyšte rychlost pouze v případě nadměrného množství kouře nebo páry a použijte podpurnou rychlost (I) jenom v extrémních situacích. Vyměňte uhlíkový filtr (y), je-li to nutné pro udržování účinnosti snižování zápachu. Vyčistěte tukový filtr (y), je-li to nutné pro udržování jeho účinnosti. Použijte maximální průměr potrubního systému, jak je uvedeno v tomto návodu, pro optimalizaci účinnosti a minimalizaci hluku.

TECHNICKÉ PORUCHY

Pokud máte dojem, že něco správně nefunguje, dříve než se obrátíte na servisní službu, proveďte následující jednoduchá kontrolní opatření:

- jestliže digestoř nefunguje:
Ověřte si, zda:
 - nedošlo k přerušení elektrického proudu.
- jestliže digestoř má nedostatečný výkon:
Ověřte si, zda:
 - zvolená rychlost motoru je postačující pro uvolněné množství dýmu a par.
 - zda je kuchyně dostatečně větrána, aby v ní bylo možno umístit přívod vzduchu.
 - zda filtr s uhlíkem není opotřebován (pokud je digestoř ve filtrující verzi).
- Pokud se digestoř při normálním provozu vypne:
Ověřte si, zda:
 - nedošlo k přerušení elektrického proudu.
 - zda nezasáhl multipólový jistič

V případě eventuálních technických poruch dříve než se obrátíte na servisní službu, odpojte přístroj alespoň na 5 vteřin z elektrické sítě, vyjměte zásuvku ze zástrčky a pak ho opět napojte na síť. V případě, že technická porucha trvá, obraťte se na servisní službu.

TECHNICKÉ ÚDAJE

Model	Výška (cm)	Šířka (cm)	Hloubka (cm)	Ø dodpadního potrubí (cm)
HHVP 6.4F AL K	69 -104	59,5	15	15
HHVP 6.6F LM K	69 -104	60	18,9	15

Údaje týkající se celkové spotřeby a spotřeby žárovky jsou uvedeny na výrobním štítku.

IHVP 6.4 AL K

	Výkon (W)	Napětí (V)	Závit	Rozměry (mm)
Halogenová	2 x 20W	12	G4	33xØ10

IHVP 6.6 LM K

Digestoř je vybavena osvětlovacím systémem založeným na technologii DIOD. Pro výměny se obraťte na servisní službu.



Komponenty, které nejsou součástí vybavení výrobku

⚠ VŠEOBECNÁ BEZPEČNOSŤ

Pred každým čistením alebo údržbou, odpojte odsávač pár od elektrickej siete vytiahnutím zástrčky alebo vypnutím hlavného vypínača bytu.

Pre všetky inštalračné a údržbové operácie používajte pracovné rukavice.

Zariadenie môže byť používané deťmi vo veku nie menej ako 8 rokov a osobami so zníženými fyzickými, zmyslovými alebo duševnými schopnosťami, alebo nedostatkom skúseností a potrebných znalostí, pokiaľ sú pod primeraným dozorom, alebo dostali pokyny o bezpečnom užívaní zariadenia a keď si uvedomujú s ňou spojené nebezpečenstvo.

Deti musia byť kontrolované, aby sa nehrali so zariadením.

Čistenie a údržbu nesmú vykonávať deti bez dozoru.

Miestnosť musí mať dostatočné vetranie, keď kuchynský odsávač pár sa používa súčasne s inými zariadeniami spaľujúcimi plyn alebo iných palív.

Odsávač pary sa pravidelne čistí ako vnútorne tak zvonku (ASPOŇ RAZ MESAČNE), v každom prípade rešpektujte ako je to výslovne uvedené v pokynoch pre údržbu v tejto príručke.

Nedodržanie pokynov na čistenie odsávača pary a výmeny a čistenia filtrov má za následok riziko vzniku požiaru.

Je prísne zakázané pod odsávačom pár robiť jedlá na plameni.

Používanie otvoreného ohňa poškodzuje filtre a môže spôsobiť požiar a preto sa mu treba v každom prípade vyhnúť.

Vypráňanie musí byť vykonané pod kontrolou, aby prehriaty olej sa nezapálil.

POZOR: Keď je varná doska v prevádzke, prístupné časti odsávača pary sa môžu zahriať.

Pri výmene lampy používajte len typ lampy uvedený v sekcii údržba/výmena lampy v tejto príručke.

Pozor! Nepripájajte zariadenie do elektrickej siete, kým inštalácia nie úplne dokončená.

Pokiaľ ide o technické a bezpečnostné opatrenia, ktoré sa majú prijať pre vypúšťanie výparov, prísne sa dodržujte nariadeniam ustanovenými príslušnými miestnymi úradmi.

Odsávaný vzduch nesmie byť dopravený do potrubia používaného pre vypúšťanie výparov produkovaných zariadeniami spaľujúcimi plyn alebo iné palivá.

Nepoužívajte alebo nechajte odsávač pár bez správne namontovaných lúčok kvôli možnému riziku úrazu elektrickým prúdom.

Nikdy nepoužívajte odsávač pár bez správne namontovanej mriežky!

Odsávač pár sa nesmie NIKDY používať ako nosný povrch, pokiaľ nie je výslovne uvedené

Používajte len upevňovacie skrutky dodávané s výrobkom pre inštaláciu alebo, ak nie sú súčasťou dodávky, kúpte správny typ skrutiek. Používajte správnu dĺžku skrutiek, ktorá je označená v Návode na inštaláciu. Ak si nie ste istí, poraďte sa s autorizovaným servisným strediskom alebo podobným kvalifikovaným personálom.

POZOR! Chýbajúca inštalácia upevňovacích skrutiek alebo prostriedkov v súlade s týmito pokynmi môže spôsobiť úraz elektrickým prúdom.

knížke, ale napriek tomu návody pre použitie, údržba a montáž ostanú rovnaké.

Prísne dodržiavajte pokyny uvedené v tomto návode. Výrobca odmieta prevziať akúkoľvek zodpovednosť za prípadné poškodenie, poruchy, škody, alebo vznietenie odsávača, ktoré bolo spôsobené nedodržaním týchto predpisov. Odsávač pár slúži výhradne na odsávanie pár, dymu, pachov vzniknutých pri varení a je určený výhradne pre domáce použitie.

! Je dôležité uchovať si túto príručku, aby ste ju mohli Použiť v akomkoľvek okamihu. V prípade predaje, postúpení či sťahovaní zaistite, aby zostala spoločne s odsávačom pár.

! Pozorne si prečítajte návod: obsahuje dôležité informácie o inštalácii, použití a bezpečnosti.

! Nemeňte elektrickú či mechanickú úpravu výrobku alebo potrubie na odvod pár.

! Skôr než budete pokračovať s inštaláciou zariadenia, overte, všetky súčiastky či nie sú poškodené. V opačnom prípade obráťte sa na predajcu a nepokračujte v inštalácii.

Minimálna vzdialenosť medzi podporou nádoby na varnej ploche a najnižšou časťou digestora nesmie byť menšia než 55cm v prípade elektrických sporákov, 70cm v prípade plynových či kombinovaných/zmiešaných sporákov.

Pokiaľ návod na inštaláciu varného zariadenia na plyn odporúča väčšiu vzdialenosť, je treba sa týmto pokynom riadiť.

ELEKTRICKÉ PRIPOJENIE

Sieťové napätie musí zodpovedať napätiu uvedenému na štítku s charakteristikami umiestnenom vo vnútri odsávača. Pokiaľ je odsávač vybavený prípojkou/vidlicou, stačí ju zapojiť do zásuvky zodpovedajúcej aktuálnym normám, ktorá sa nachádza v ľahko dosiahnuteľnom priestore aj po prevedenej montáži. Pokiaľ odsávač nie je vybavený prípojkami/vidlicou (priame pripojenie k sieti) alebo sa zásuvka nenachádza v ľahko dosiahnuteľnom priestore aj po prevedení montáže, je nutné použiť dvojpólový vypínač zodpovedajúci normám, ktorý zaručí úplné odpojenie od siete v podmienkach kategórie prepätí III, v súlade s pravidlami inštalácie.

Upozornenie! Skôr než opäť napojíte obvod digestora na sieťové napájanie a overíte správne fungovanie, skontrolujte si vždy, že sieťový kábel bol správne namontovaný.

Výmena napájacieho kábla

Digestor je vybavený špeciálnym napájacím káblom; v prípade poškodenia káblu si ho vyžiadajte u servisnej služby.

VYPÚŠŤANIE VZDUCHU

(iba pre odsávacie verzie)

Napojte digestor na odťahové potrubie s rovnakým priemerom ako vývod vzduchu (spojovacia príručka).

Použitie odvodových trubíc a otvorov do steny s menším priemerom má za následok zníženie odsávadsej výkonnosti e drastické zvýšenie hlučnosti.

V tejto zásluže sa vyhýba každej zodpovednosti.

- ! Používajte čo najkratšie odťahové potrubie.
- ! Používajte odťahové potrubie s čo najmenším počtom záhybov (maximálny uhol záhybu: 90°).
- ! Vyhnite sa zásadným zmenám sekcie vedenia odťahu.
- ! Spoločnosť sa vyhýba akejkolvek zodpovednosti, pokiaľ tieto normy sa nedodržia.

FILTRČNÁ ALEBO ODSÁVACIA ?

! Váš odsávač pary je pripravený pre použitie v odsávacej verzii.

Pre použitie odsávača pary vo filtračnej verzii, nainštaluje sa príslušná SADA PRÍSLUŠENSTVA.

Overiť si na prvých stranách tejto príručky, či SADA PRÍSLUŠENSTVA je dodaná vo výbave alebo je ju potrebné zakúpiť.

Poznámka: Ak je dodaná vo výbave, doplnkový filtračný systém na základe aktívneho uhlia, mohol už by byť nainštalovaný na odsávači pary.

Informácie pre transformáciu odsávača pary z odsávacej verzii na filtračnú verziu sú už zahrnuté v tejto príručke.



Odsávacia verzia

Výpary sú vypúšťané von prostredníctvom výfukového potrubia upevneného na spojovacej príručke.

Priemer výfukového potrubia sa musí zhodovať s priemerom spojovacieho prstenca.

Upozornenie! Odťahové potrubie nie je súčasťou výbavy a je nutné ho zakúpiť. Ak odsávač pary je vybavený uhlíkovými filtrami, tak tie musia byť vybraté.



Filtračná verzia

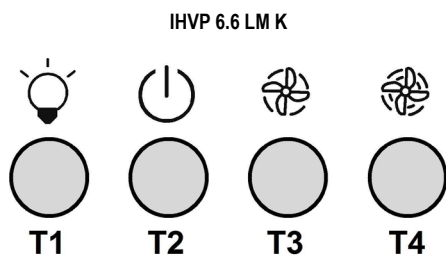
Odsávaný vzduch bude pred návratom do miestnosti zbavený tukov a pachov. K použitiu digestora v tejto verzii je nutné inštalovať dodatočný systém filtrovania na základe aktívnych uhlíkov.

Nasatý vzduch sa pred znovu privodením do miestnosti najprv odmastí a sa zbaví zápachu. Aby sa mohol odsávač pary používať v takejto verzii, je potrebné nainštalovať doplnujúci filtračný systém na základe aktívneho uhlia.

RIADENIA

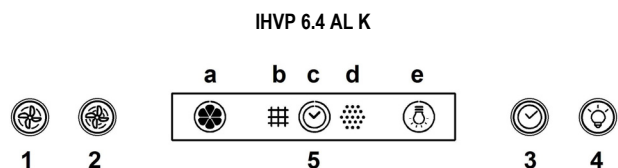
Odsávač pary je vybavený ovládacím panelom s kontrolou odsávacej rýchlosti a s kontrolou zapínania svetidla na osvetlenie varnej pracovnej plochy.

Modely s mechanickým tlačidlovým panelom



- T1. Vypínač svetla ON/OFF.
- T2. Vypínač svetla OFF/rýchlosť 1
- T3. Voľba rýchlosti 2
- T4. Voľba rýchlosti 3

Modely s tlačidlovým panelom Soft Button + Displej LCD



1. OFF / Tlačidlo zníženia rýchlosti (výkonu) odsávania
2. ON / Tlačidlo zvýšenia rýchlosti (výkonu) odsávania
Poznámka: intenzívna rýchlosť (výkon) odsávania je časovaná a trvá 5 minút (kontrolka **c** bliká); po ktorých odsávač pár sa vráti do rýchlosti (výkonu) odsávania 2.
3. Tlačidlo ON/OFF časovač: oneskoruje 5 minút deaktiváciu zvolenej rýchlosti (výkonu) odsávania.
Poznámka: toto tlačidlo slúži tiež pre funkciu "Reset signalizácie nasýtenia filtra".
4. Tlačidlo ON/OFF svetlo
5. Displej zobrazuje:
 - a. **Rýchlosť (výkon) odsávania:** ukazovateľ sa otáča v závislosti na zvolenej rýchlosti (výkonu) odsávania.
Bezpečnostná funkcia: kontrolka bliká.
 - b. **Nasýtenie protitukového filtra:** rozsvieti sa v prípade potreby údržby filtra.
 - c. **Časovač.**
 - d. **nasýtenie filtra s aktívnym uhlím:** rozsvieti sa v prípade potreby údržby filtra.
Poznámka: táto funkcia je normálne deaktivovaná a musí byť aktivovaná len v prípade, že odsávač pár je použitá vo filtračnej verzii (s namontovaným uhlíkovým filtrom).
Pre tento účel postupujte nasledovne:
 - Vypnite odsávač pár.
 - Stlačte súčasne tlačidlá **1** a **3** a držte ich stlačené, kým kontrolka neprestane blikáť (deaktivovaná kontrolka) a sa zapne pevné svetlo (aktivovaná kontrolka).
 - Uvoľnite tlačidlá.Pre deaktiváciu opakujte postup: kontrolka prechádza z pevného svetla (aktivovaná kontrolka) na blikanie (deaktivovaná kontrolka).
 - e. **Osvetlenie.**

Bezpečnostná funkcia

Odsávač je vybavený snímačom, ktorý v prípade náhleho zvýšenia teploty, aktivuje odsávanie, kým sa teplota výrazne zníži.

Reset signalizácie nasýtenia filtra

Po vykonaní údržby filter, stlačte tlačidlo 3 a držte ho stlačené, kým sa kontrolka nezhasne.

ÚDRŽBA

Čistenie

Pri čistení je treba použiť **VÝLUČNE** látku navlhčenú neutrálnymi tekutými čistiacimi prostriedkami.

NEPOUŽÍVAJTE ŽIADNE NÁSTROJE ALEBO POMOCKY NA ČISTENIE. NEPOUŽÍVAJTE ALKOHOL!

Panel obvodového odsávania

Obvod panela odsávania čistí rovnako často ako protitukový filter, používať súkno a nie veľmi koncentrovaný tekutý čistiaci prostriedok. Nepoužívať nikdy škrabacie hmoty.

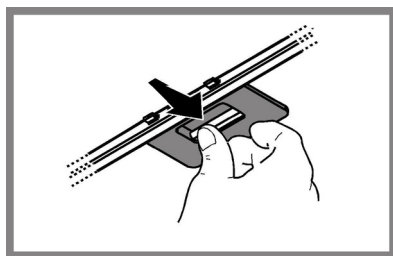
Údržba protitukových filtrov

Udržuje častice tukov pochádzajúcich z varenia.

Musí byť čistený jedenkrát za mesiac (alebo keď upozorňovací systém nasýteľnosti filtrov – ak je s ním príslušný model vybavený – upozorňuje túto nevyhnutnosť), nehrdzavými čistiacimi prostriedkami ručne alebo v umývačke s nízkou teplotou vody a krátkym cyklusovým programom.

Umývaním v umývačke, protitukový filter sa môže odfarbiť, ale jeho filtračná charakteristika sa tým vôbec nezmení.

Na odpojenie protitukových filtrov potiahnite za pružinový háčik.

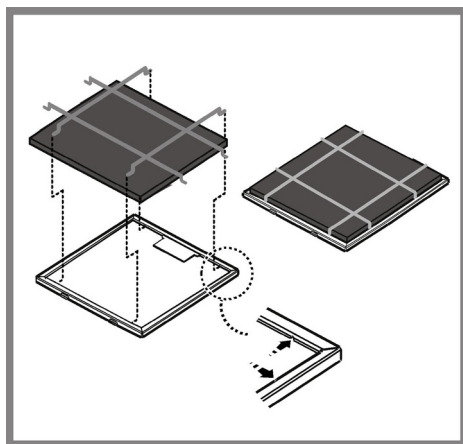


Údržba uhlíkového filtra

Udržuje nepríjemné zápachy pochádzajúce z varenia.

Nasýteľnosť uhoľného filtra sa odhaľuje iba po viac-menej predĺženom použití, na základe typu kuchyne a pravidelnosti čistenia filtra tukov. V každom prípade je nevyhnutné vymeniť zásobník maximálne každé štyri mesiace (alebo keď upevňovací systém nasýteľnosti filtrov – ak je s ním príslušný model vybavený – upozorňuje túto nevyhnutnosť).

NEMÔŽE byť umývaný alebo regenerovaný.



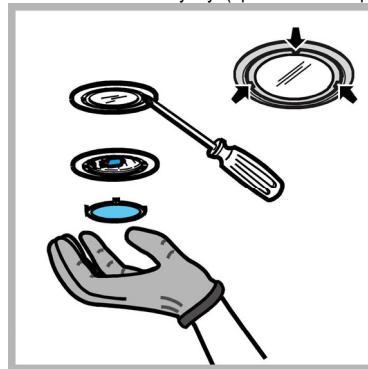
Výmena žiaroviek

IHVP 6.4 AL K

Vypnite odsávač z elektrickej siete.

Pozor! Skôr ako sa dotknete žiaroviek, presvedčte sa, že sú chladné.

1. Vytiahnite ochranný kryt s použitím malého skrutkovača s rezným hrotom alebo podobným nástrojom.
2. Vymeňte poškodenú žiarovku.
Používajte len halogénové žiarovky 12V - 20W, max. - G4, a dbajte pritom, aby ste sa ich nedotkli rukami.
3. Zatvorte ochranný kryt (upevnenie na západku).



IHVP 6.6 LM K

Odsávač pary je vybavený systémom osvetlenia založenom na technológii LED.

Kontrolky LED zaručujú optimálne osvetlenie, trvanie až 10 krát dlhšie ako tradičné žiarovky a umožňujú ušetriť 90% elektrickej energie.


Pre výmenu, obrátiť sa na technický servis.

LIKVIDÁCIA

Tento spotrebič je označený v súlade s európskou smernicou 2012/19/EC o likvidácii elektrického a elektronického zariadenia (WEEE).

Uistením sa, že tento výrobok bol po svojej životnosti odstránený správnym spôsobom, užívateľ prispieva k predchádzaniu možným negatívnym následkom pre životné prostredie a zdravie.



Symbol  výrobku alebo na jeho sprievodnej dokumentácii, upozorňuje, že s týmto výrobkom sa nesmie zaobchádzať ako s domácim odpadom, ale musí byť odovzdaný do príslušného miesta zberu pre recykláciu elektrických a elektronických prístrojov. Zbaviť sa ho riadením sa podľa miestnych zákonov o odstránení odpadkov. Kvôli dokonalejším informáciám o zaobchádzaní, znovuzískaní a recyklácii tohto výrobku, kontaktujte príslušné miestne úrady, služby pre zber domáceho odpadu alebo predajňu, v ktorej výrobok bol zakúpený.

Prístroj bol navrhnutý, testovaný a vyrobený v súlade s:

- Bezpečnosť: EN/IEC 60335-1; EN/IEC 60335-2-31, EN/IEC 62233.
- Výkonnosť: EN/IEC 61591; ISO 5167-1; ISO 5167-3; ISO 5168; EN/IEC 60704-1; EN/IEC 60704-2-13; EN/IEC 60704-3; ISO 3741; EN 50564; IEC 62301.
- EMC: EN 55014-1; CISPR 14-1; EN 55014-2; CISPR 14-2; EN/IEC 61000-3-2; EN/IEC 61000-3-3.

(CISPR - Osobitný medzinárodný výbor pre rádiové rušenie, pozn. prekl.)

Odporúčania pre správne použitie s cieľom znížiť dopad na životné prostredie: Zapnite digestor na minimálnu rýchlosť, keď začnete s varením a nechajte ho bežať niekoľko minút po ukončení varenia. Zvýšte rýchlosť len v prípade veľkého množstva dymu a pary a použite podpornú rýchlosť (rýchlosti) len v extrémnych situáciách. Vymeňte uhlíkový filter (filtre), ak je to potrebné na udržiavanie dobrej účinnosti zníženia zápachu. Vyčistite tukový filter (filtre), ak je to potrebné na udržiavanie jeho účinnosti. Použite maximálny priemer potrubného systému, ako je uvedené v tomto návode, na optimalizáciu účinnosti a minimalizáciu hluku.

PREVÁZDKOVÉ PORUCHY

Ak sa zdá, že niečo nefunguje, skôr než sa zavola servis, vykonať nasledujúce jednoduché kontroly.

- Ak odsávač pary nefunguje:
Skontrolovať, že:
 - nedošlo k výpadku elektrického prúdu.
 - bola zvolená jedna rýchlosť.
- ak odsávač pary má slabý výkon:
Skontrolovať, že:
 - zvolená rýchlosť motora je dostačujúca pre množstvo uvoľnených dymov a pár.
 - Kuchyňa je dostatočne vzdušná pre možnosť príjem vzduchu.
 - uhlíkový filter nie je spotrebovaný (odsávač pary vo filtračnej verzii).
- ak odsávač pary sa vypol počas normálnej prevádzky:
Skontrolovať, že:
 - nedošlo k výpadku elektrického prúdu.
 - vyplo sa zariadenie poisťky.

V prípade eventuality porúch v prevádzke, skôr ako sa obrátite na zákaznícky servis, odpojiť zariadenie na 5 sekúnd od elektrického napojenia, vytiahnutím zástrčky a znovu ho pripojiť. V prípade, že porucha prevádzky pretrváva, obrátiť sa na zákaznícky servis.

TECHNICKÉ ÚDAJE

Model	Výška (cm)	Šírka (cm)	Hĺbkam (cm)	Ø výfukového potrubia (cm)
HHVP 6.4F AL K	69 -104	59,5	15	15
HHVP 6.6F LM K	69 -104	60	18,9	15

Vid typový štítok pre celkovú absorpciu a absorpciu svetla.

IHVP 6.4 AL K

	Výkon (W)	Napätie (V)	Pin	Rozmery (mm)
Halogénová	2 x 20W	12	G4	33xØ10

IHVP 6.6 LM K

Odsávač pary je vybavený systémom osvetlenia založenom na technológii LED.

Pre výmenu, obrátiť sa na technický servis.



Komponenty, ktoré nie sú dodané s výrobkom

⚠ SIGURANȚĂ GENERALĂ

Înainte de orice operațiune de curățare sau de întreținere, deconectați hota de la rețea prin scoaterea ștecherului sau deconectați sursa de alimentare cu energie.

Purtați întotdeauna mănuși de lucru pentru toate operațiunile de instalare și întreținere.

Acest aparat poate fi folosit de copii cu vârsta peste 8 ani și persoane cu capacități fizice, senzoriale sau mentale reduse sau lipsite de experiență și cunoștințe, dacă sunt sub supraveghere și au fost instruite cu privire la utilizarea aparatului în condiții de siguranță și înțeleg riscurile implicate.

Copiiiilor nu trebuie să li se permită să manipuleze comenzile sau să se joace cu aparatul.

Curățarea și întreținerea nu se face de către copii fără supraveghere.

Locul în care este instalat aparatul trebuie să fie ventilat suficient, în cazul în care hota de bucătărie se utilizează împreună cu alte dispozitive de ardere a gazelor sau a altor combustibili.

Hota trebuie să fie curățată în mod regulat atât la interior cât și la exterior (CEL PUȚIN O DATĂ PE LUNĂ). Această operațiune trebuie efectuată în conformitate cu instrucțiunile de întreținere din acest manual. Nerespectarea instrucțiunilor prezente în acest ghid de utilizare în ceea ce privește curățarea hotei și filtrelor poate cauza risc de incendii.

Gătirea alimentelor cu foc cu flacără direct sub hotă este strict interzisă.

Utilizarea flăcării este dăunătoare filtrelor și poate provoca risc de incendiu; prin urmare, trebuie evitată în orice situație. Orice prăjire trebuie să se facă cu grijă, pentru a se asigura că uleiul nu se supraîncălzeste și aprinde.

AVERTISMENT: Părțile accesibile ale hotei pot deveni fierbinti când este hota este utilizat cu aparate de gătit.

Pentru înlocuirea becurilor, utilizați numai tipul de becuri indicat în secțiunea Întreținere/Înlocuirea becurilor din acest manual.

AVERTISMENT! Nu conectați aparatul la rețeaua electrică până când instalarea este complet terminată.

În ceea ce privește măsurile tehnice și de siguranță care trebuie adoptate pentru evacuarea fumului, este important să se urmărească îndeaproape normele locale.

Sistemul de evacuare a fumului pentru acest aparat nu trebuie să fie conectat la nici sistem de ventilație existent care este folosit în alte scopuri, cum ar fi evacuarea gazelor de ardere rezultate de la aparatele consumatoare de gaz sau alți combustibili.

Nu folosiți și nu lăsați hota fără bec montat corect din cauza riscului de electrocutare.

Nu folosiți niciodată hota fără ca aceasta să aibă grilele montate în mod eficient. Hota nu trebuie utilizată NICIODATĂ ca suprafață de sprijin dacă acest lucru nu este precizat în mod expres.

Folosiți numai șuruburile de fixare furnizate împreună cu produsul pentru instalare sau, în cazul în care nu sunt incluse, achiziționați tipul corespunzător de șuruburi.

Use the correct length for the screws which are identified in the Installation Guide.

În caz de incertitudine, consultați un centru de asistență service autorizat sau o persoană cu calificare corespunzătoare.

AVERTISMENT! Neinstalarea șuruburilor sau a dispozitivului de fixare în conformitate cu aceste instrucțiuni poate duce la pericolele de natură electrică.

Hota poate fi din punct de vedere estetic diferită față de cea ilustrată în desenele acestui manual, totuși instrucțiunile de utilizare, întreținere și instalare rămân aceleași.

Urmăriți îndeaproape instrucțiunile conținute în acest manual. Producătorul își declină orice responsabilitate în cazul daunelor sau incendiilor provocate aparatului și derivate dintr-o utilizare incorectă și din nerespectarea instrucțiunilor conținute în acest manual. Hota a fost proiectată pentru aspirarea gazelor arse și vaporilor rezultați în urma coacerii și este destinată doar utilizării casnice.

- ! Este important să păstrați acest manual pentru a-l putea consulta în orice moment. În caz de vânzare, cesiune sau mutare, asigurați-vă că acesta rămâne împreună cu produsul.
- ! citiți cu atenție instrucțiunile: există informații importante privind instalarea, utilizarea și siguranța.
- ! Nu efectuați modificări de tip electric sau mecanic asupra produsului sau asupra țevilor de evacuare.
- ! Înainte de instalarea aparatului, verificați dacă toate componentele nu sunt deteriorate. În caz contrar, contactați furnizorul și nu continuați cu instalarea.

Distanța minimă între suprafața suportului recipientelor pe dispozitivul de gătit și partea de jos a hotei nu trebuie să fie mai mică de 55cm în cazul mașinilor de gătit electrice, și de 70cm în cazul mașinilor de gătit cu gaz sau mixte.

Dacă instrucțiunile dispozitivului de gătit cu gaz specifică o distanță mai mare, este necesar să țineți cont de aceasta.

CONEXAREA ELECTRICĂ

Tensiunea din rețea trebuie să corespundă cu tensiunea la care se referă eticheta situată în interiorul hotei. Dacă este prevăzută cu ștecher conectați hota la o priză conform cu normele în vigoare, poziționată într-o zonă accesibilă și după instalare. Dacă nu este prevăzută cu ștecher (conexiunea este direct la rețea) sau ștecherul nu este poziționat într-o zonă accesibilă și după instalare, aplicați un întrerupător bipolar la normă care să asigure deconectarea completă de la rețea în condițiile categoriei de supratensiune III, conform regulilor de instalare.

Atenție! Înainte de a efectua conectarea circuitului hotei la alimentația din rețea și de a verifica funcționarea corectă, controlați totdeauna dacă cablul a fost montat în mod corect.

Inlocuirea cablului de alimentare

Hota este prevăzută cu un cablu de alimentare special; în cazul deteriorării acestuia, apelați la serviciul de asistență tehnică.

EVACUAREA AERULUI

(pentru versiunile cu ventilație)

Racordați hota la cablurile și orificiile de evacuare prin perete cu diametru egal cu ieșirea aerului (flanșa de record).

Utilizarea tuburilor și orificiilor de evacuare la perete cu diametrul mai mic va determina o diminuare a prestațiilor de aspirare și o creștere drastică a zgomotului.

Se declină însă orice responsabilitate în acest sens.

- ! Folosiți un tub de lungime minimă indispensabilă.
- ! Folosiți un tub cu un număr cât mai mic de curbe posibil (unghiul maxim al curbei: 90°).
- ! Evitați schimbările drastice de secțiune ale tubului.
- ! Producătorul și declină orice responsabilitate dacă aceste măsuri de siguranță nu sunt respectate.

FILTRANTA SAU CU VENTILATIE ?

! Hota dumneavoastră este gata pentru a fi folosită în versiunea cu ventilație. Pentru a utiliza hota în versiune filtrantă, se instalează SETUL DE ACCESORII corespunzător.

Verificați primele pagini ale acestui manual, dacă SETUL DE ACCESORII este deja furnizat sau trebuie să fie achiziționat separat.

Notă: Dacă este furnizat, în unele cazuri, sistemul de filtrare suplimentar pe bază de cărbune activ poate să fie deja instalat pe hotă.

Informațiile referitoare la trecerea hotei din versiunea cu ventilație în cea filtrantă sunt deja conținute în acest manual.



Versiunea aspirantă

Vaporii sunt evacuați către exterior prin intermediul unui tub de evacuare fixat la flanșa de record.

Diametrul tubului de evacuare trebuie să fie echivalent cu diametrul inelului de conexiune.

Atenție! Tubul de evacuare nu se furnizează din dotare; acesta trebuie achiziționat.

Dacă hota este prevăzută cu filtre de carbon, acestea trebuie să fie scoase.



Versiunea filtrantă

Aerul aspirat va fi degresat și dezodorizat înainte de a fi reorientat în cameră.

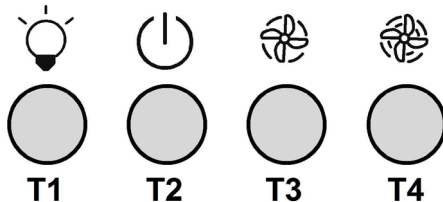
Pentru a utiliza hota în această versiune este necesar să instalați un sistem de filtrare suplimentar pe bază de carbon activ.

COMENZI

Hota este dotată cu un panou de comandă, de la care se modifică viteza de aspirație și se declanșează aprinderea becurilor pentru iluminarea blatului de aragaz.

Modele cu panou de control mecanic

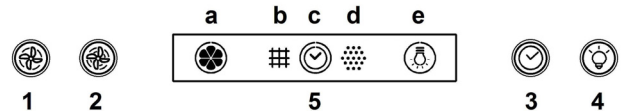
IHVP 6.6 LM K



- T1. Întrerupător lumini ON/OFF.
- T2. Întrerupător OFF/viteza 1
- T3. Selectare rapidă 2
- T4. Selectare rapidă 3

Modele cu panou de control cu buton tip Soft Button + display LCD

IHVP 6.4 AL K



1. OFF / Buton de reducere a vitezei (puterii) de aspirație
2. ON / Buton de creștere a vitezei (puterii) de aspirație
Notă: viteza (puterea) de aspirație intensivă este temporizată și durează 5 minute (lampa de control c clipește); după care hota revine la viteza (puterea) de aspirație 2.
3. Buton ON/OFF timer: întârzie cu 5 minute dezactivarea vitezei (puterii) de aspirație selectate.
Notă: acest buton este utilizat și pentru funcția "Reset semnalizare saturație filtru".
4. Buton ON/OFF iluminat
5. Display, afișează:
 - a. **Viteza (puterea) de aspirație:** indicatorul se rotește în funcție de viteza (puterea) de aspirație selectată.
Funcție siguranță: lampa de control clipește.
 - b. **Saturația filtrului anti-grăsimi:** se aprinde când este necesară efectuarea întreținerii filtrului.
 - c. **Timer.**
 - d. **Saturația filtrului cu cărbune activ:** se aprinde când este necesară efectuarea întreținerii filtrului.
Notă: această funcție este în mod normal dezactivată și se activează numai dacă hota este utilizată în versiune filtrantă (cu filtrul cu cărbune activ montat).
 În acest scop, procedați în modul următor:
 - Opriți hota.
 - Apăsati simultan butoanele 1 și 3 și țineți-le apăstate până când lampa de control nu mai clipește (lampa de control dezactivată) și se aprinde cu lumina constantă (lampa de control activată).
 - Eliberați butoanele.
 Pentru a o dezactiva, repetați procedura: lampa de control trece de la lumina constantă (lampa de control activată) la intermitentă/clipitoare (lampa de control dezactivată).
 - e. **Iluminat.**

Funcția de siguranță

Hota este dotată cu un senzor care, în cazul creșterii bruste a temperaturii, activează aspirația până când temperatura scade considerabil.

Reset semnalizare de saturație filtru

După efectuarea întreținerii filtrului, apăsați butonul 3 și țineți-l apăsat până când lampa se stinge.

ÎNTREȚINEREA

Curățarea

Pentru curățare folosiți **EXCLUSIV** un material îmbibat cu detergenți lichizi neutri. **NU UTILIZAȚI UNELTE SAU INSTRUMENTE PENTRU CURĂȚARE!** Evitați folosirea produselor pe bază de abrazivi **NU FOLOSIȚI ALCOOL!**

Întreținerea panoului

Curățați panoul de aspirare perimetral cu aceeași frecvență a filtrului anti-grăsime, folosiți o cârpă și un detergent lichid nu foarte concentrat. Nu folosiți niciodată substanțe abrazive.

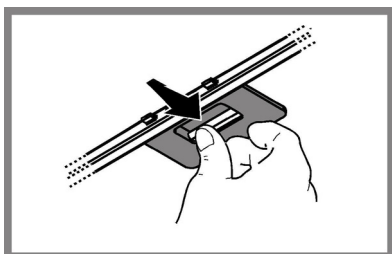
Întreținere filtri anti-grăsimi

Captează particulele de grăsime care apar în timpul pregătirii alimentelor.

Trebuie să fie curățat o dată pe lună (sau când sistemul de semnalare a saturației filtrelor – dacă modelul dvs. este prevăzut – indică această necesitate), cu detergenți neabrazivi, manual sau utilizând mașina de spălat vase, la temperaturi scăzute și folosind un program scurt.

Filtrul metallic anti-grăsime, spălat cu mașina de spălat vase se poate decolora, dar nu-și va pierde caracteristicile de filtrare.

Pentru demontarea filtrului trageți mânerul de prindere cu resort.

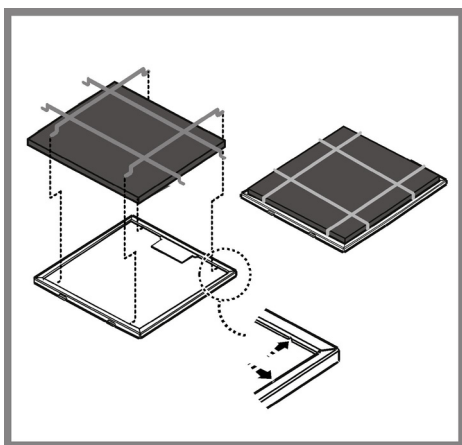


Întreținere filtru cu cărbune activ

Reține mirosurile neplăcute, derivate în urma procesului de coacere.

Saturarea filtrului de carbon apare după un anumit timp de utilizare, care variază în funcție de tipul aragazului și de regularitatea curățării filtrului degresant. În orice caz, este necesar să înlocuiți cartușul la maxim patru luni (sau când sistemul indicator vă semnalează saturarea filtrelor – dacă este prevăzut pe modelul dvs).

NU-l spălați sau refoșiți



Înlocuirea becurilor

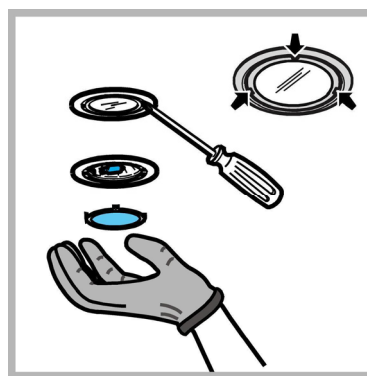
IHVP 6.4 AL K

Deconectați hota de la rețeaua electrică.

Atenție! Înainte de a atinge becurile, asigurați-vă că nu au o temperatură ridicată.

Înlocuiți becul vechi cu unul de același tip, după cum se specifică în eticheta de caracteristici sau în apropierea lămpii pe hotă.

1. Scoateți protecția folosită-vă de o șurubelniță sau de o piesă identică.
2. Înlocuiți becul ars
Folosiți doar becuri halogene de 12V -20W max - G4, având grijă să nu le atingeți cu mâna.
3. Închideți protecția (fixare prin declanșare)



IHVP 6.6 LM K

Hota este dotată cu un sistem de iluminare bazat pe tehnologia LED.

LEDURILE garantează o iluminare optimă, o durată de până la 10 ori mai mare față de becurile tradiționale și permit economisirea a 90% de energie electrică.


Pentru înlocuire adresați-vă serviciului de asistență tehnică.

ELIMINARE

Acest aparat este marcat în conformitate cu Directiva Europeană 2012/19/EC referitoare la Deșeurile de Echipament Electric și Electronic (WEEE).

Asigurându-vă că acest produs este eliminat în mod corect, contribuiți la prevenirea potențialelor consecințe negative asupra mediului înconjurător și sănătății persoanelor, consecințe care ar putea fi provocate de aruncarea necorespunzătoare la gunoi a acestui produs.



Simbolul  de pe produs, sau de pe documentele care însoțesc produsul, indică faptul că acesta nu poate fi aruncat împreună cu deșeurile menajere. Trebuie predat la punctul de colectare corespunzător, pentru reciclarea echipamentului electric și electronic.

Aruncarea la gunoi a aparatului trebuie făcută în conformitate cu normele locale pentru eliminarea deșeurilor.

Pentru informații mai detaliate privind eliminarea, valorificarea și reciclarea acestui produs, vă rugăm să contactați administrația locală, serviciul de eliminare a deșeurilor menajere sau magazinul de unde ați cumpărat produsul.

Aparat proiectat, testat și fabricat în conformitate cu:

- Siguranță: EN/IEC 60335-1; EN/IEC 60335-2-31, EN/IEC 62233.
- Randament: EN/IEC 61591; ISO 5167-1; ISO 5167-3; ISO 5168; EN/IEC 60704-1; EN/IEC 60704-2-13; EN/IEC 60704-3; ISO 3741; EN 50564; IEC 62301.
- EMC: EN 55014-1; CISPR 14-1; EN 55014-2; CISPR 14-2; EN/IEC 61000-3-2; EN/IEC 61000-3-3.

Recomandări pentru o utilizare corespunzătoare în scopul reducerii impactului asupra mediului: Când începeți să gătiți, porniți hota la viteză minimă și lăsați-o să funcționeze timp câteva minute după ce ați terminat de gătit. Măriți viteza în cazul cantităților mari de fum sau vapori și utilizați viteza/ele sporită/e doar în cazuri extreme. Înlocuiți filtrul/ele de carbon, atunci când este necesar, pentru a menține o eficiență optimă de reducere a mirosului. Curățați filtrul/ele de grăsime, atunci când este necesar, pentru a menține o eficiență optimă a filtrului. Utilizați diametrul maxim al sistemului de conducte indicat în acest manual pentru a optimiza eficiența și pentru a reduce la minimum nivelul de zgomot.

ANOMALII DE FUNCȚIONARE

Dacă ceva nu pare să funcționeze, înainte de a face un apel la Serviciul de Asistență, efectuați următoarele verificări simple:

- Dacă hota nu funcționează:
 - Verificați dacă:
 - nu este vorba de o pană de curent.
 - a fost selecționată o viteză.
- Dacă hota are un randament redus: Verificați dacă:
 - Viteza selecționată pentru motor este suficientă pentru cantitatea de fum și vapori care este eliberată.
 - Bucătăria este aerată suficient pentru a permite priza de aer.
 - Filtrul cu cărbune nu este consumat (hota în versiunea filtrantă).
- Dacă hota s-a oprit în timpul funcționării normale: Verificați dacă:
 - nu este vorba de o pană de curent.
 - dispozitivul de comutare nu s-a decuplat.

În caz de defecțiuni, înainte de a contacta Serviciul de Asistență Tehnică, deconectați timp de cel puțin 5 sec. aparatul trăgând de ștecher și apoi conectați-l din nou. În cazul în care defecțiunea persistă, contactați Serviciul de asistență.

CARACTERISTICI TEHNICE

Model	Înălțime (cm)	Lățime (cm)	Adâncime (cm)	Ø duct de evacuare (cm)
HHVP 6.4F AL K	69 -104	59,5	15	15
HHVP 6.6F LM K	69 -104	60	18,9	15

Vezi plăcuța cu caracteristici tehnice pentru consumul total și consumul becului.

IHVP 6.4 AL K

	Putere (W)	Tensiune (V)	Conexiune	Dimensiuni (mm)
Halogena	2 x 20W	12	G4	33xØ10

IHVP 6.6 LM K

Hota este dotată cu un sistem de iluminare bazat pe tehnologia LED. Pentru înlocuire adresați-vă serviciului de asistență tehnică.



Componentele nu sunt furnizate împreună cu produsul

